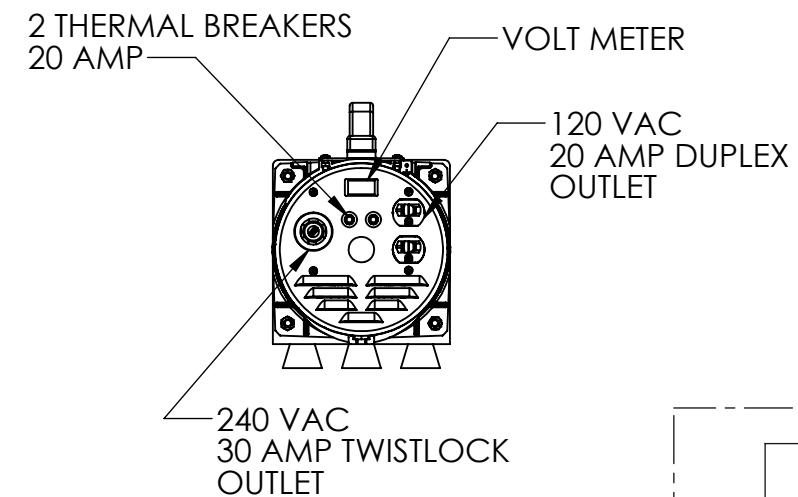
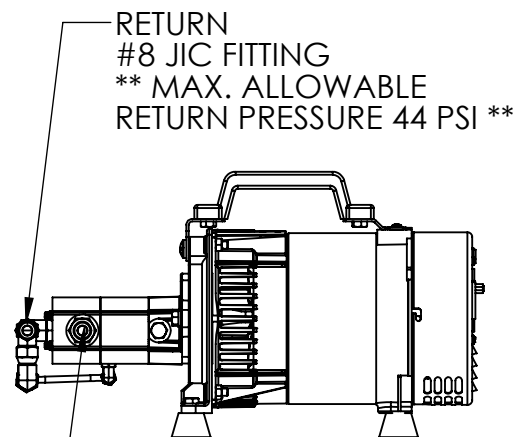
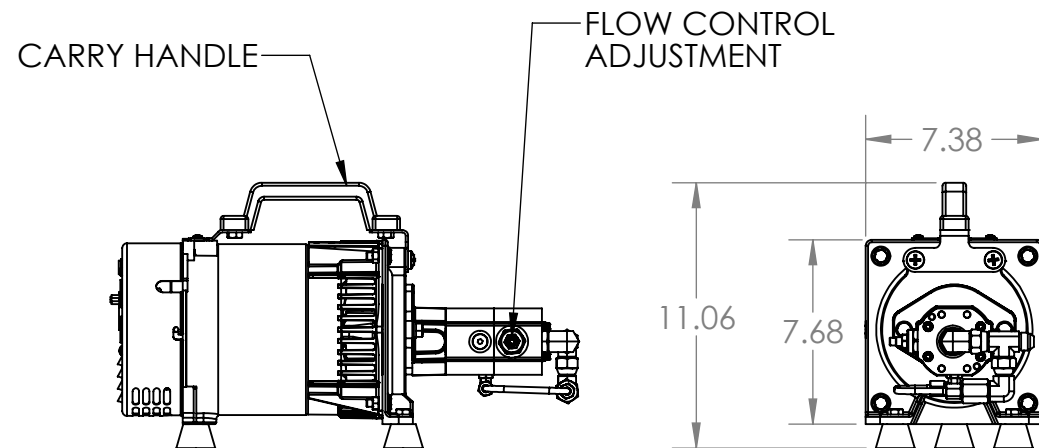
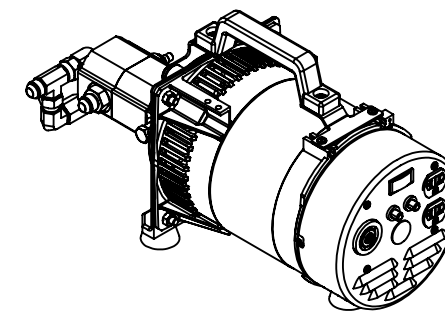
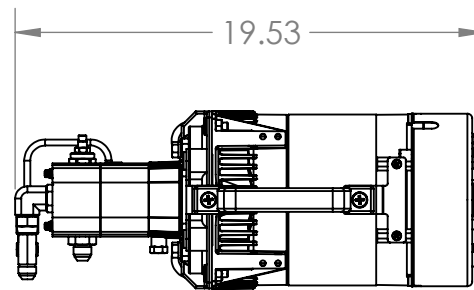
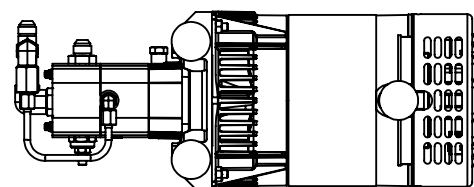


PROPRIETARY AND CONFIDENTIAL

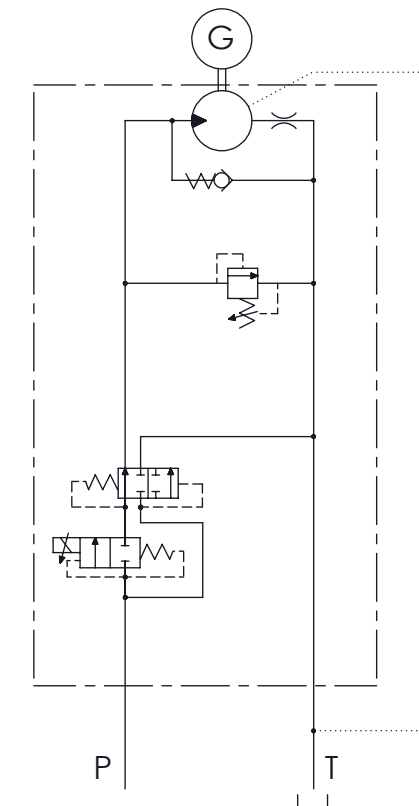
THE INFORMATION CONTAINED IN THIS DRAWING IS THE SOLE PROPERTY OF HARRISON HYDRA-GEN LTD. ANY REPRODUCTION IN PART OR AS A WHOLE WITHOUT THE WRITTEN PERMISSION OF HARRISON HYDRA-GEN LTD. IS PROHIBITED.



PRESSURE IN #8 JIC FITTING



SPECIFICATIONS	
MFG.	HARRISON HYDRA-GEN
MODEL #	HU04.0PMG-16G5-B-SP42
RATING	4 KW
VOLTS	120 / 240
AMPS	33 / 16.5
FREQUENCY	60 HZ @ 3600 RPM
MOTOR	GEAR
DISPLACEMENT	5.25 CC / .323 CIR
FLOW APROX.	6 GPM
RATED PRESSURE	3000 PSI
FLOW CONTROL	MANUAL ADJUST
MAX ALLOWED RETURN PRESSURE	44 PSI



NOTES:

REV.	DRFT	CHK	APVD	DATE	DESIGN CHANGES
A	PD	PD	PD	10-11-16	DIMENSIONAL DRAWING
B	PD	PD	PD	10-19-16	CHANGE GENERATOR RATING

UNLESS OTHERWISE SPECIFIED:

DIMENSIONS ARE IN INCHES  
 TOLERANCES:  
 FRACTIONAL ± 0.015  
 ANGULAR: MACH ± 0.5° BEND ± 1°  
 TWO PLACE DECIMAL ± 0.01  
 THREE PLACE DECIMAL ± 0.003

DO NOT SCALE DRAWING



14233 West Rd.  
Houston, TX 77041

Tel: (281) 807-4420  
Fax: (281) 807-4815

SCALE: 1:8

SHEET 1 OF 1

**HARRISON HYDRA-GEN LTD.**

TITLE: 4 KW GENERATOR SP42

PART: HU04.0PMG-16G5-B-SP42

SIZE	DWG. NO.	REV
B	HU04.0PMG-16G5-B-SP42-01-B	B