

PROPRIETARY AND CONFIDENTIAL

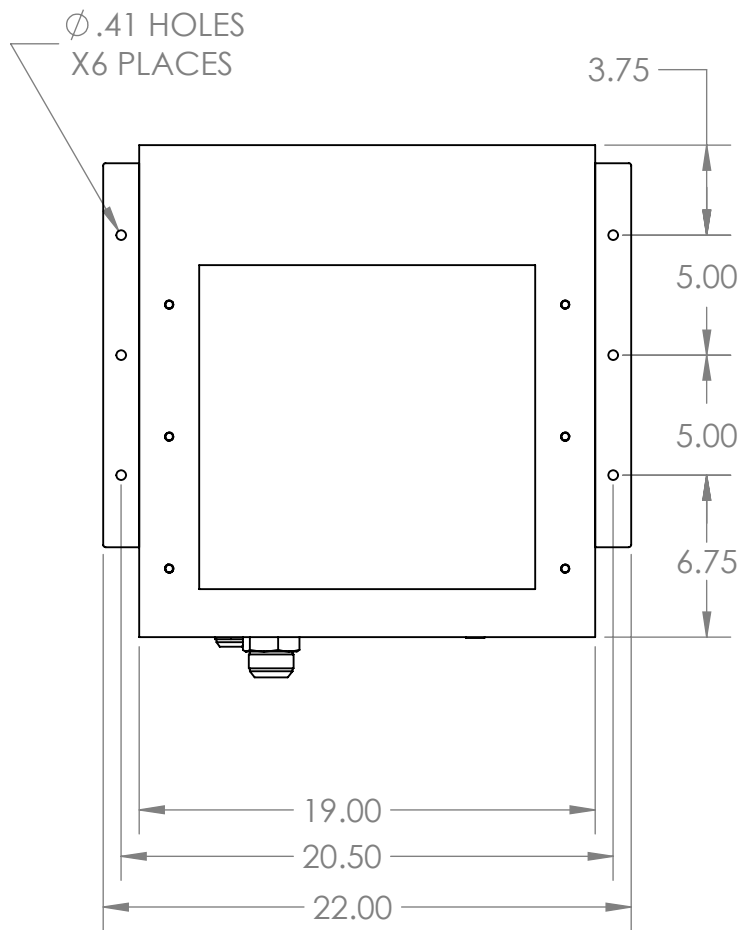
THE INFORMATION CONTAINED IN THIS DRAWING IS THE SOLE PROPERTY OF HARRISON HYDRA-GEN LTD. ANY REPRODUCTION IN PART OR AS A WHOLE WITHOUT THE WRITTEN PERMISSION OF HARRISON HYDRA-GEN LTD. IS PROHIBITED.

D

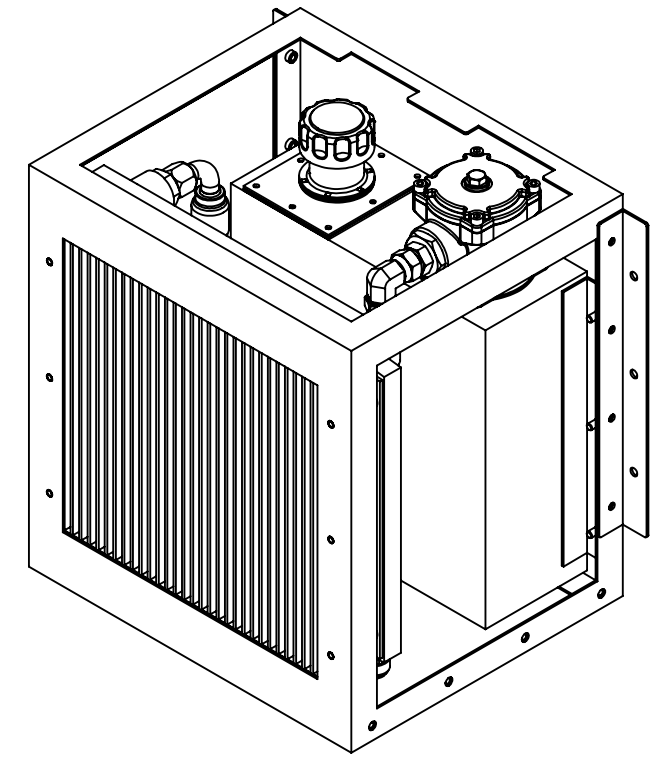
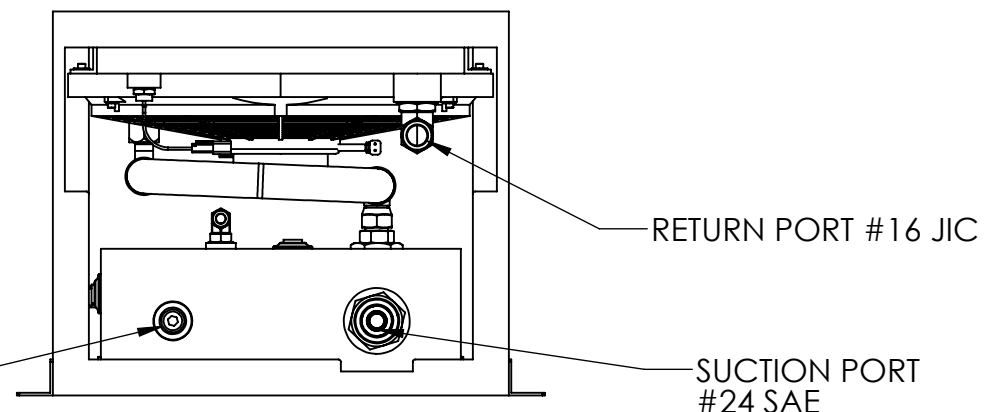
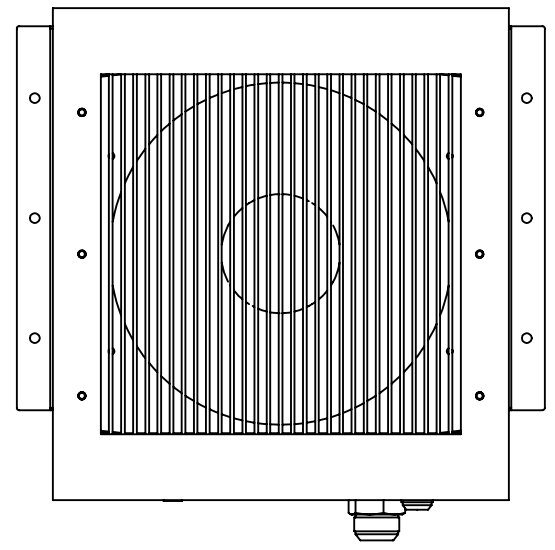
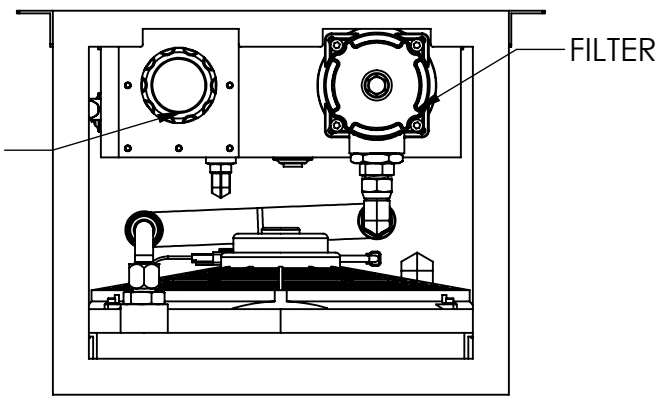
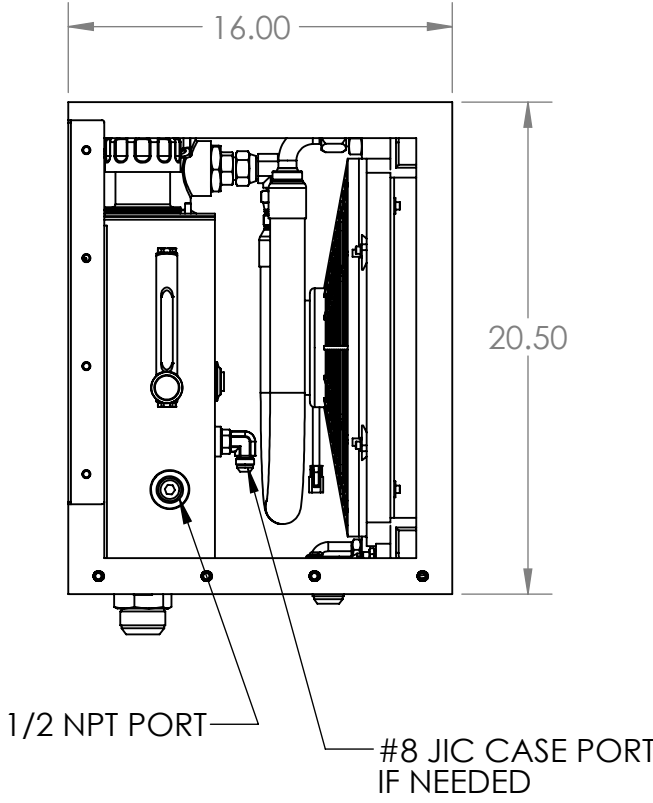
C

B

A



NOTE:  
MOUNTING BRACKETS CAN BE ASSEMBLED ON THE BOTTOM FOR FLOOR MOUNTING OR MOUNTED ON THE BACK SIDES FOR WALL MOUNTING. WHEN WALL MOUNTING THE BRACKETS CAN BE SHIFTED UP OR DOWN TO CHANGE THE HEIGHT OF THE UNIT.



D

C

B

A

NOTES:

REV.	DRFT	CHK	APVD	DATE	DESIGN CHANGES
A	PD	PD	PD	9-28-15	DIMENSIONAL DRAWING

UNLESS OTHERWISE SPECIFIED:  
DIMENSIONS ARE IN INCHES  
TOLERANCES:  
FRACTIONAL ± 0.015  
ANGULAR: MACH ± 0.5° BEND ± 1°  
TWO PLACE DECIMAL ± 0.01  
THREE PLACE DECIMAL ± 0.003  
REMOVE SHARP CORNERS & BURRS

DO NOT SCALE DRAWING

14233 West Rd.  
Houston, TX 77041

Tel: (281) 807-4420  
Fax: (281) 807-4815

SCALE: 1:8

SHEET 1 OF 1

**HARRISON HYDRA-GEN LTD.**

TITLE: 40 GPM HYDRA- QUBE

PART: HU40.OHQ-A

SIZE DWG. NO. REV  
BU40HQ-A-01-A HYDRA-QUBE 9-28-15