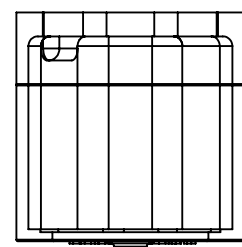
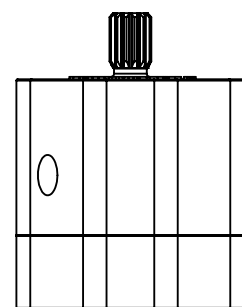
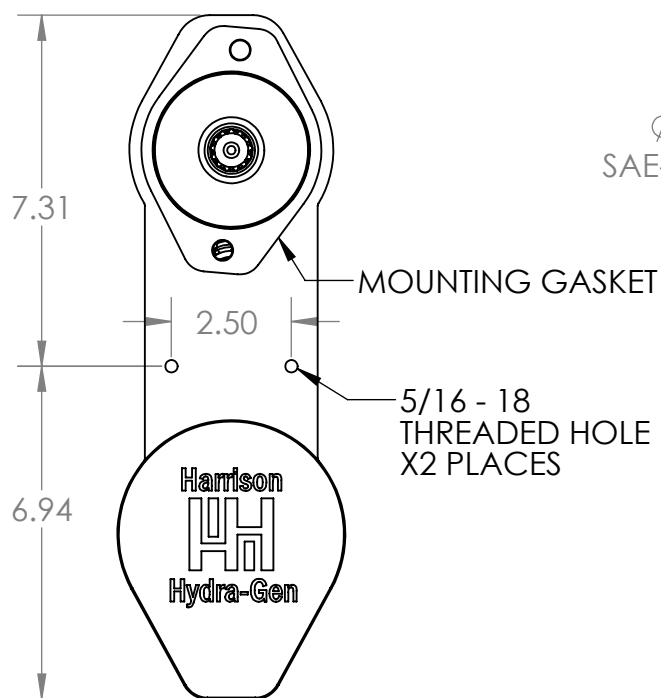
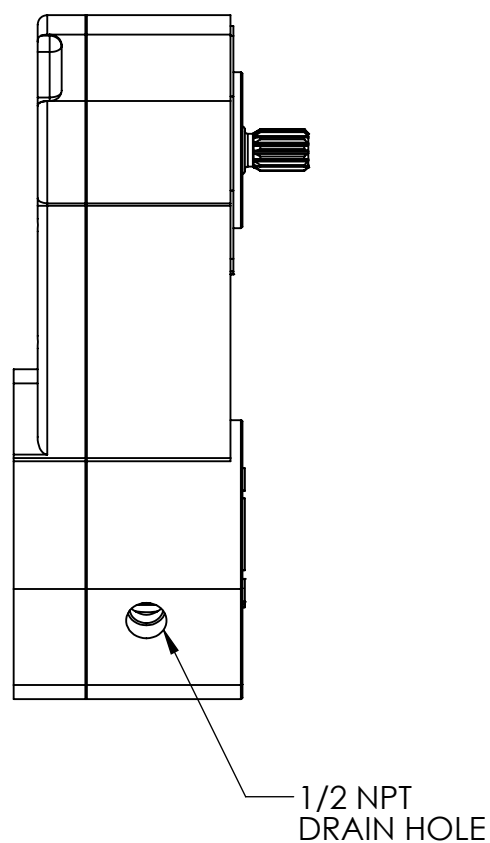
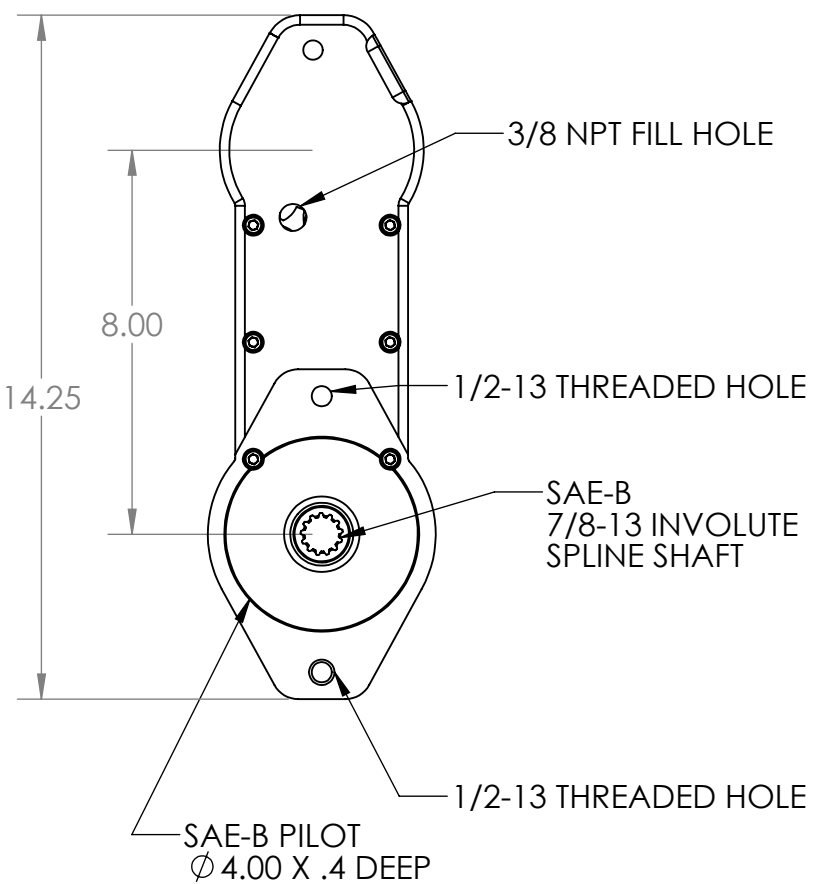


PROPRIETARY AND CONFIDENTIAL

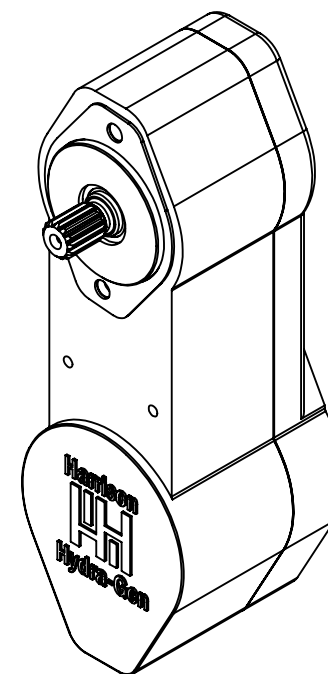
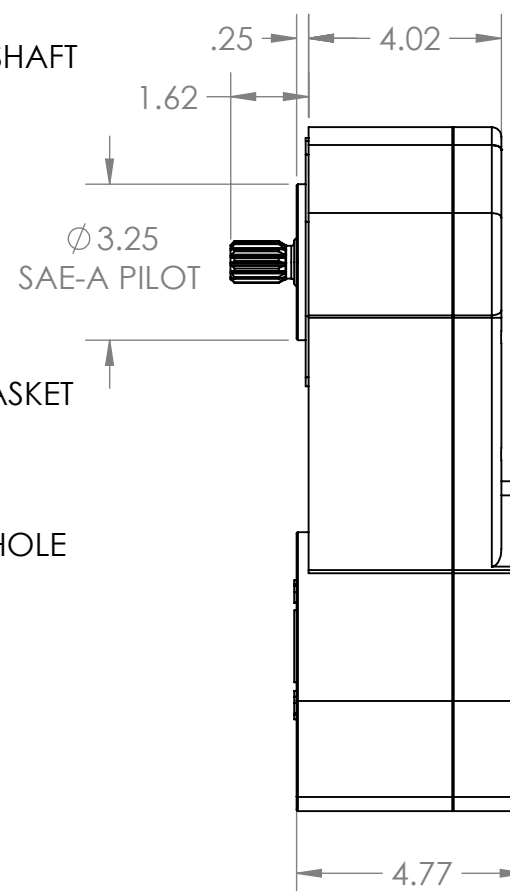
THE INFORMATION CONTAINED IN THIS DRAWING IS THE SOLE PROPERTY OF HARRISON HYDRA-GEN LTD. ANY REPRODUCTION IN PART OR AS A WHOLE WITHOUT THE WRITTEN PERMISSION OF HARRISON HYDRA-GEN LTD. IS PROHIBITED.

SPECIFICATIONS

RATIO 1:1
 INPUT SAE-A PILOT WITH SAE-B 7/8-13 TOOTH SPLINE MALE SPLINE
 OUTPUT SAE-B PILO WITH SAE-B 7/8-13 TOOTH SPLINE FEMALE SPLINE
 PUMP ROTATION WILL BE CW
 OIL REQUIRED; **USE ONLY MOBIL SCH GEAR 220**



SAE-B 7/8-13 SPLINE SHAFT



NOTES:

REV.	DRFT	CHK	APVD	DATE	DESIGN CHANGES
A	PD	PD	PD	3-28-16	DIMENTIONAL DRAWING
B	PD	PD	PD	10-10-16	ADD LOGO TO CASTING

UNLESS OTHERWISE SPECIFIED:

DIMENSIONS ARE IN INCHES
 TOLERANCES:
 FRACTIONAL ± .015
 ANGULAR: MACH ± 0.5° BEND ± 1°
 TWO PLACE DECIMAL ± .01
 THREE PLACE DECIMAL ± 0.003



14233 West Rd.
 Houston, TX 77041

Tel: (281) 807-4420
 Fax: (281) 807-4815

DO NOT SCALE DRAWING

SCALE: 1:4

SHEET 1 OF 1

HARRISON HYDRA-GEN LTD.

TITLE: HYDRA-DRIVE GEARBOX

PART: HU507-GB12

SIZE DWG. NO. REV
 B HU507-GB12-01-B B