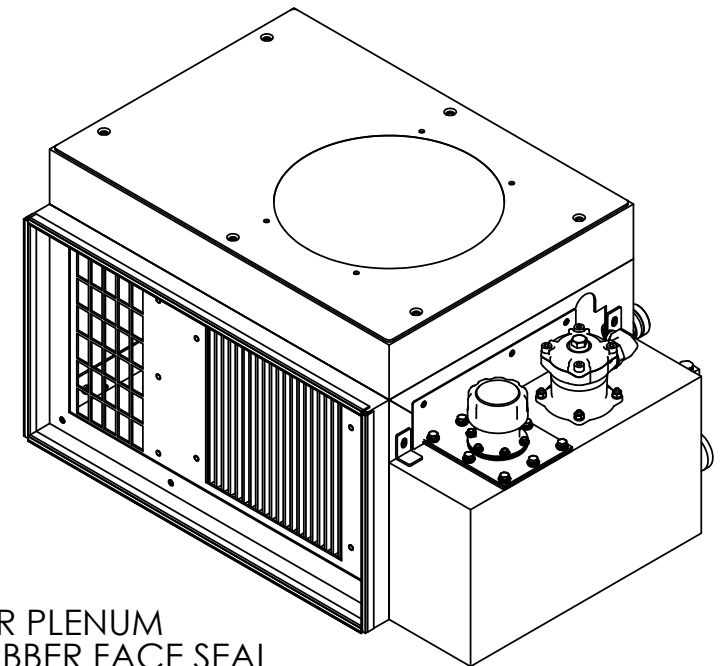
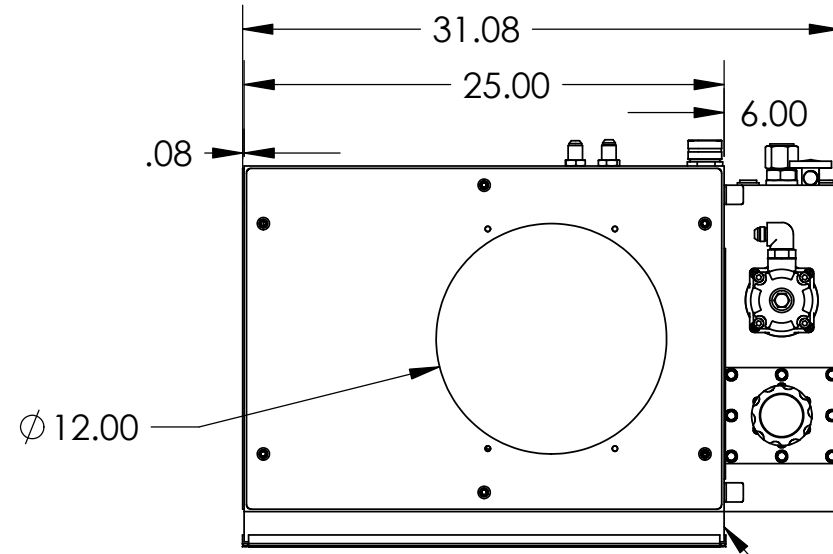


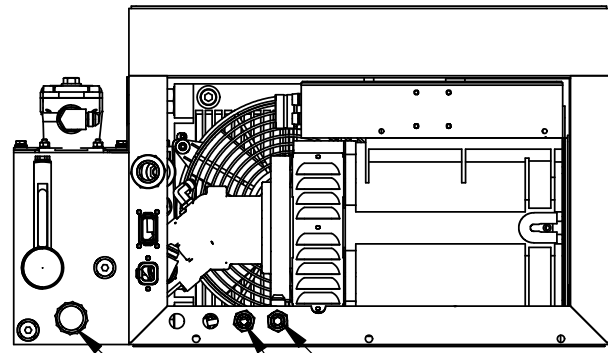
**PROPRIETARY AND CONFIDENTIAL**  
 THE INFORMATION CONTAINED IN THIS DRAWING IS THE SOLE PROPERTY OF HARRISON HYDRA-GEN LTD. ANY REPRODUCTION IN PART OR AS A WHOLE WITHOUT THE WRITTEN PERMISSION OF HARRISON HYDRA-GEN LTD. IS PROHIBITED.

NOTE: DRAWING SHOWN WITH ATTACHED RESERVOIR, INLET AIR PLRNUM AND VERTICAL DRAFT OPTION INSTALLED  
 MODEL CODE # XX.X MAS-16R/D-11011/00/1



VERTICAL EXHAUST FAN KIT

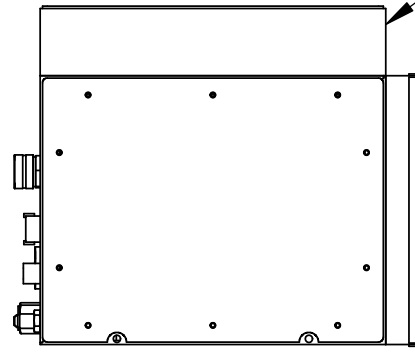
INLET AIR PLENUM WITH RUBBER FACE SEAL



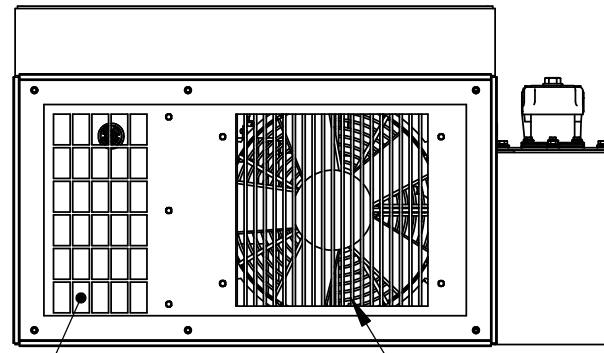
PRESSURE PORT #8 JIC FITTING

CASE PORT #8 JIC FITTING

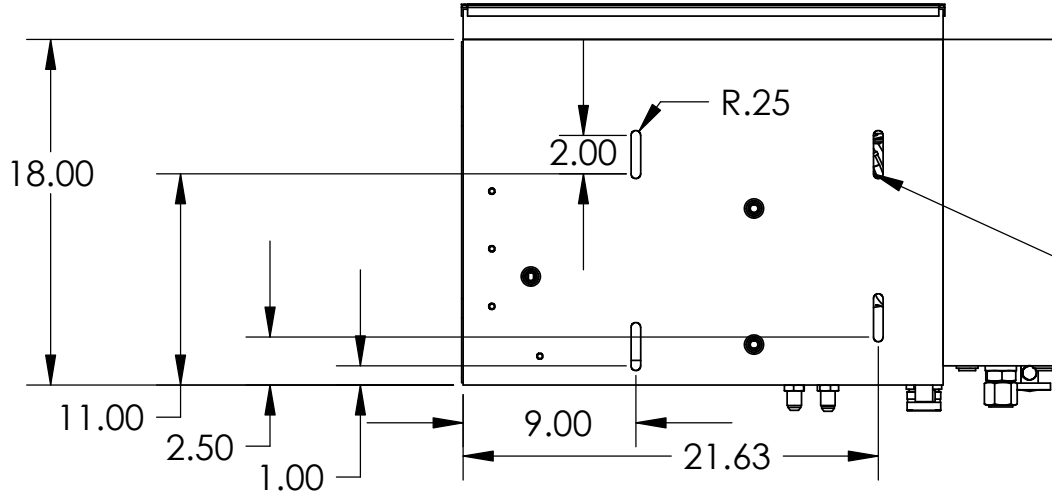
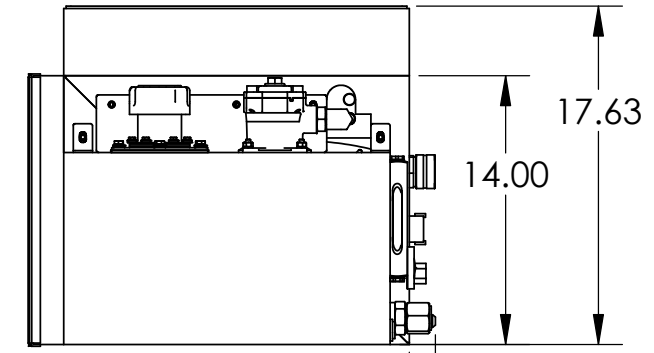
SUCTION PORT #16 JIC FITTING



ALTERNATOR FRESH AIR IN



COOLER FRESH AIR IN



MOUNTING SLOTS .5 DIA X 2.00 4 PLACES

NOTES:

REV.	DRFT	CHK	APVD	DATE	DESIGN CHANGES
B	PD	PD	PD	4-15-09	DIMENSIONAL DRAWING

UNLESS OTHERWISE SPECIFIED:  
 DIMENSIONS ARE IN INCHES  
 TOLERANCES:  
 FRACTIONAL ± 0.015  
 ANGULAR: MACH ± 0.5° BEND ± 1°  
 TWO PLACE DECIMAL ± 0.01  
 THREE PLACE DECIMAL ± 0.003

DO NOT SCALE DRAWING

10827 Tower Oaks Blvd. Houston, TX 77070  
 Tel: (281) 807-4420 Fax: (281) 807-4815

SCALE: 1:10 SHEET 1 OF 1

**HARRISON HYDRA-GEN LTD.**  
 TITLE: MAS DIMENSIONAL DRAWING  
 PART: HU MAS-16R/XXXX/XX  
 SIZE B DWG. NO. MAS-16R/D-01-B REV B