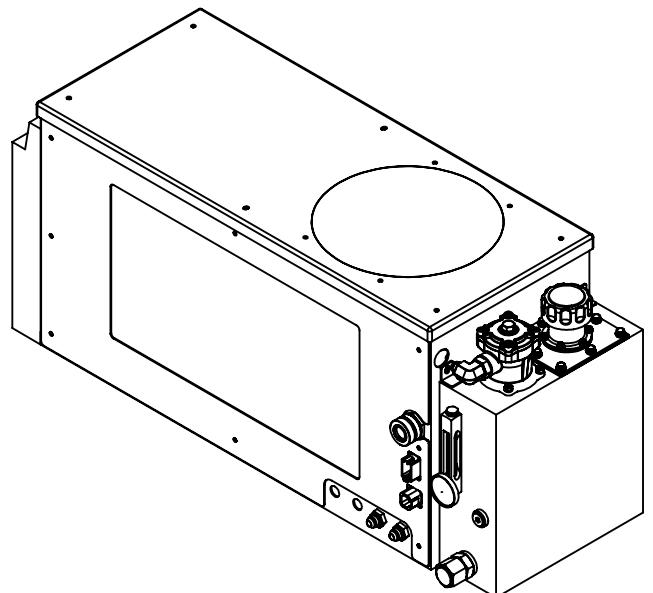
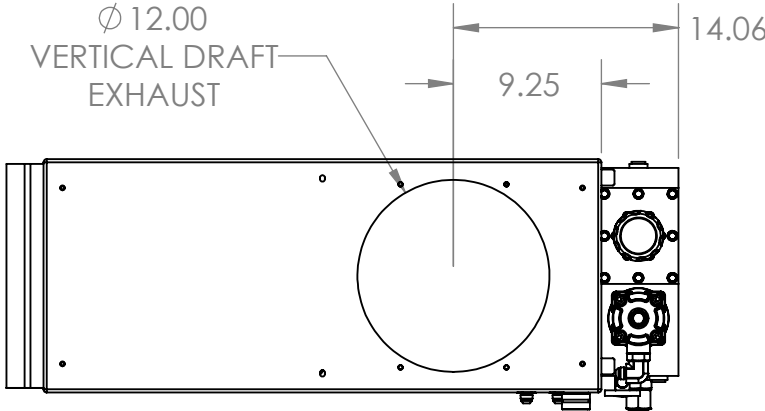


8 7 6 5 4 3 2 1

**PROPRIETARY AND CONFIDENTIAL**  
 THE INFORMATION CONTAINED IN THIS DRAWING IS THE SOLE PROPERTY OF HARRISON HYDRA-GEN LTD. ANY REPRODUCTION IN PART OR AS A WHOLE WITHOUT THE WRITTEN PERMISSION OF HARRISON HYDRA-GEN LTD. IS PROHIBITED.

**MODEL SHOWN:**  
 12.0 MCR-16J/D11111/XX/1  
 OPTIONAL VERTICAL DRAFT  
 & INTAKE PLENUM

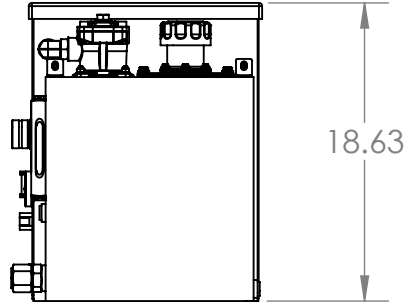
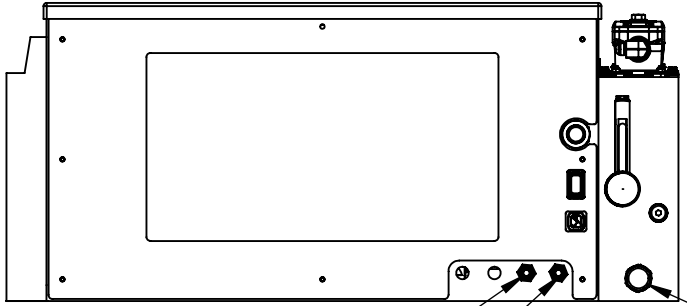
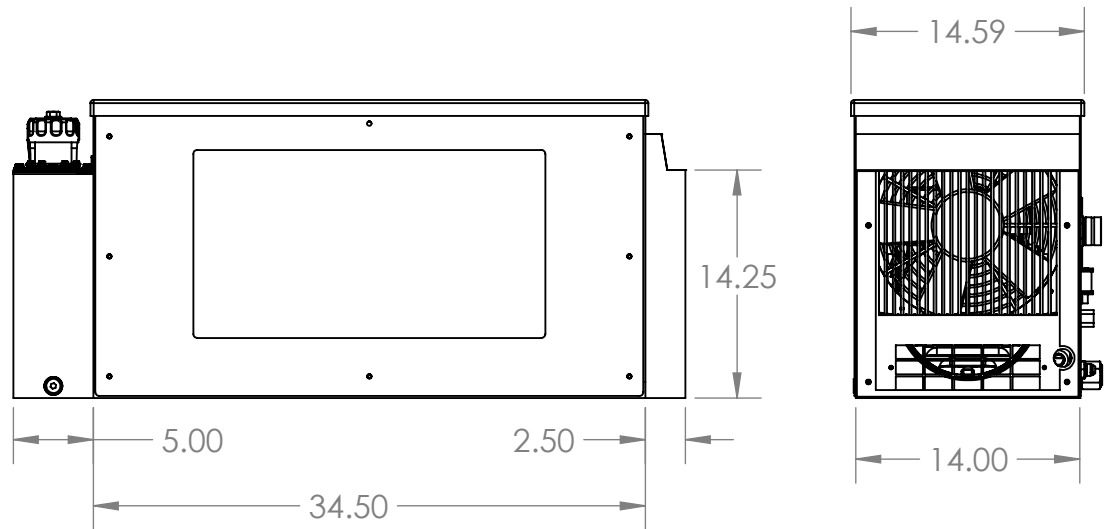


D

D

C

C



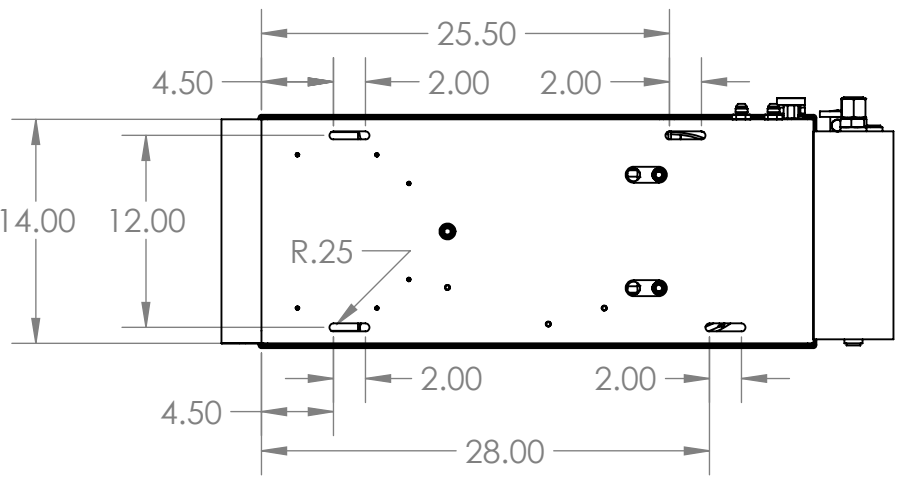
PRESSURE IN  
 #8 JIC FITTING

PUMP CASE IN  
 #8 JIC FITTING

SUCTION LINE  
 #16 JIC FITTING

B

B



A

A

| REV. | DRFT | CHK | APVD | DATE   | DESIGN CHANGES   |
|------|------|-----|------|--------|------------------|
| A    | PD   | PD  | PD   | 3-8-13 | MCR-D DIMENSIONS |
|      |      |     |      |        |                  |
|      |      |     |      |        |                  |
|      |      |     |      |        |                  |

UNLESS OTHERWISE SPECIFIED:  
 DIMENSIONS ARE IN INCHES  
 TOLERANCES:  
 FRACTIONAL ± 0.015  
 ANGULAR: MACH ± 0.5° BEND ± 1°  
 TWO PLACE DECIMAL ± 0.01  
 THREE PLACE DECIMAL ± 0.003



10827 Tower Oaks Blvd. Houston, TX 77070  
 Tel: (281) 807-4420 Fax: (281) 807-4815

DO NOT SCALE DRAWING

SCALE: 1:12

SHEET 1 OF 1

**HARRISON HYDRA-GEN LTD.**

TITLE: MCR-D DIMENSIONS

PART: HU-XX.X MCR-D

SIZE DWG. NO. REV  
 B HU12.0-MCR-D-DIM-01-A A

8 7 6 5 4 3 2 1