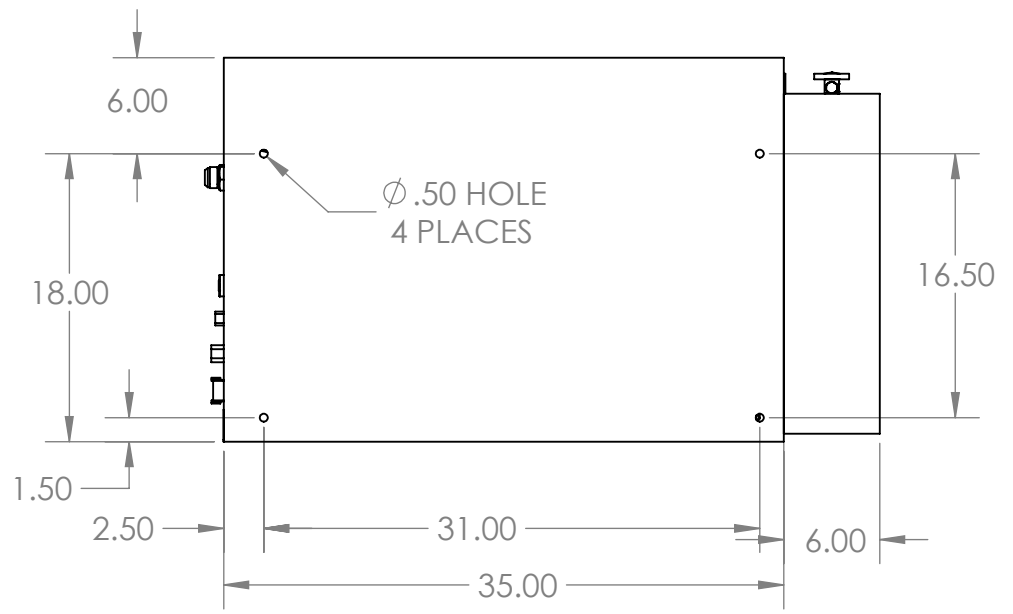
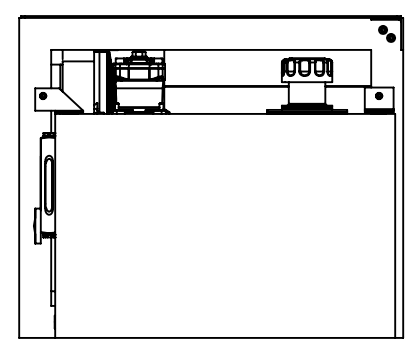
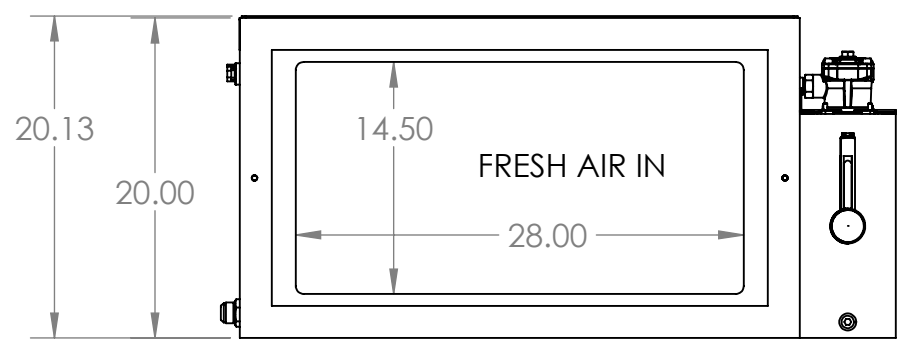
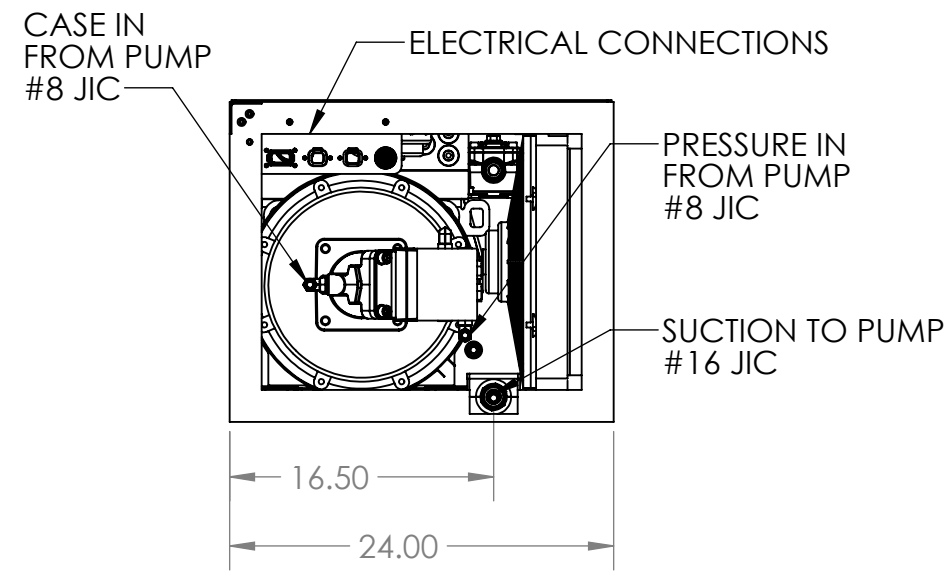
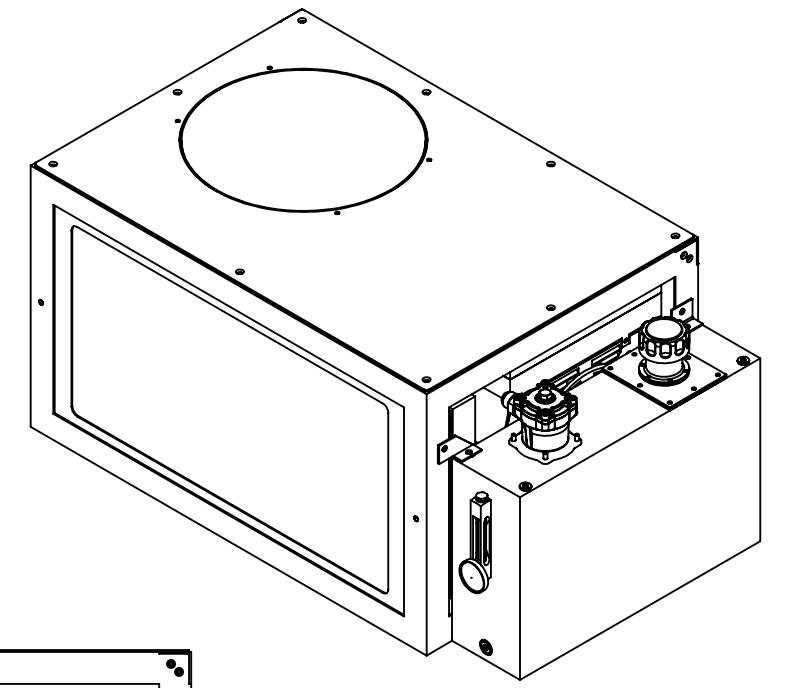
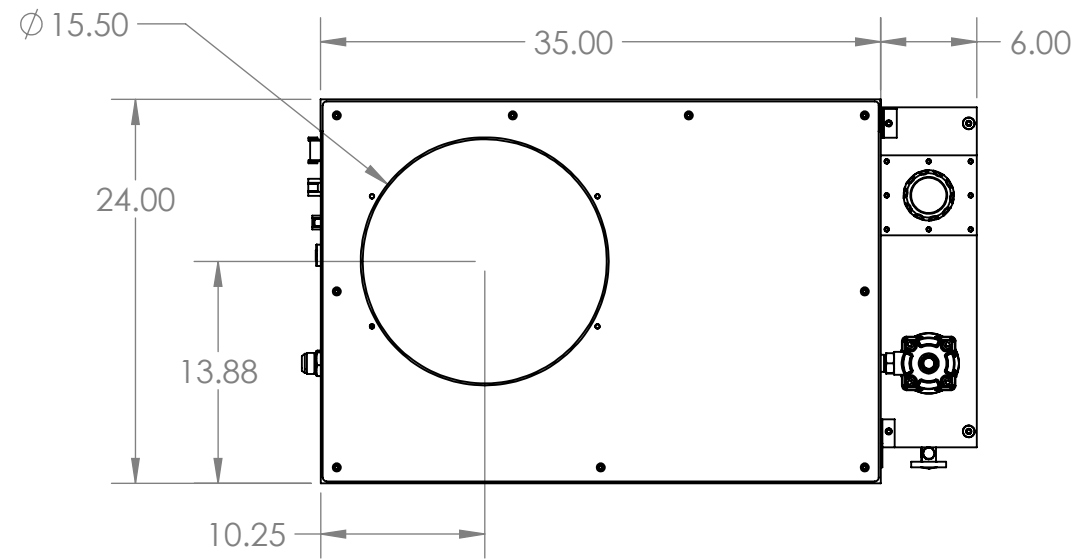


PROPRIETARY AND CONFIDENTIAL
 THE INFORMATION CONTAINED IN THIS DRAWING IS THE SOLE PROPERTY OF HARRISON HYDRA-GEN LTD. ANY REPRODUCTION IN PART OR AS A WHOLE WITHOUT THE WRITTEN PERMISSION OF HARRISON HYDRA-GEN LTD. IS PROHIBITED.

GENERATOR SHOWN WITH VERTICAL DRAFT TOP OPTION



NOTES:

REV.	DRFT	CHK	APVD	DATE	DESIGN CHANGES
A	PD	PD	PD	5-12-12	DIMENSIONAL DRAWING

UNLESS OTHERWISE SPECIFIED:
 DIMENSIONS ARE IN INCHES
 TOLERANCES:
 FRACTIONAL ± 0.015
 ANGULAR: MACH ± 0.5° BEND ± 1°
 TWO PLACE DECIMAL ± 0.01
 THREE PLACE DECIMAL ± 0.003

10827 Tower Oaks Blvd. Houston, TX 77070
 Tel: (281) 807-4420 Fax: (281) 807-4815

SCALE: 1:12 SHEET 1 OF 1

HARRISON HYDRA-GEN LTD.
 TITLE: 30.0 MPC SPEC M DIMENSIONS
 PART: HU30.0 MPC-16H/M
 SIZE DWG. NO. REV
 B HU30.0MPC-16H-M-DIM-01-A A