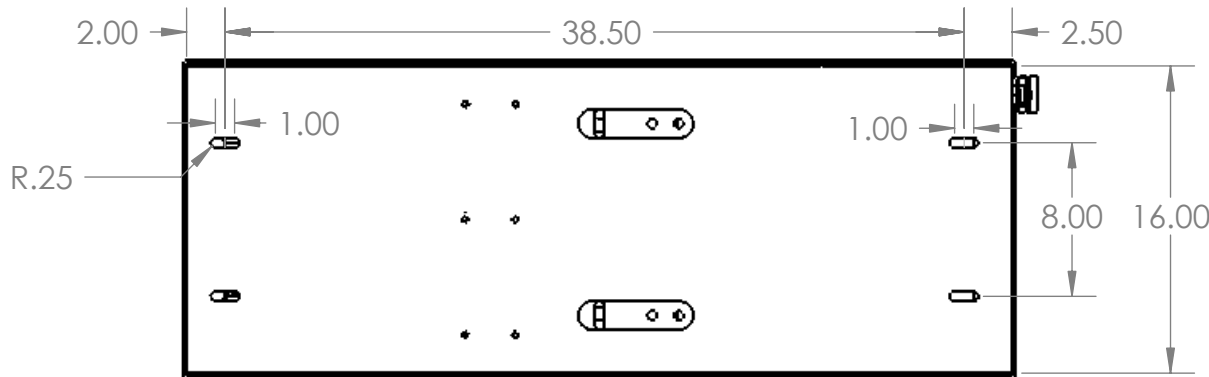
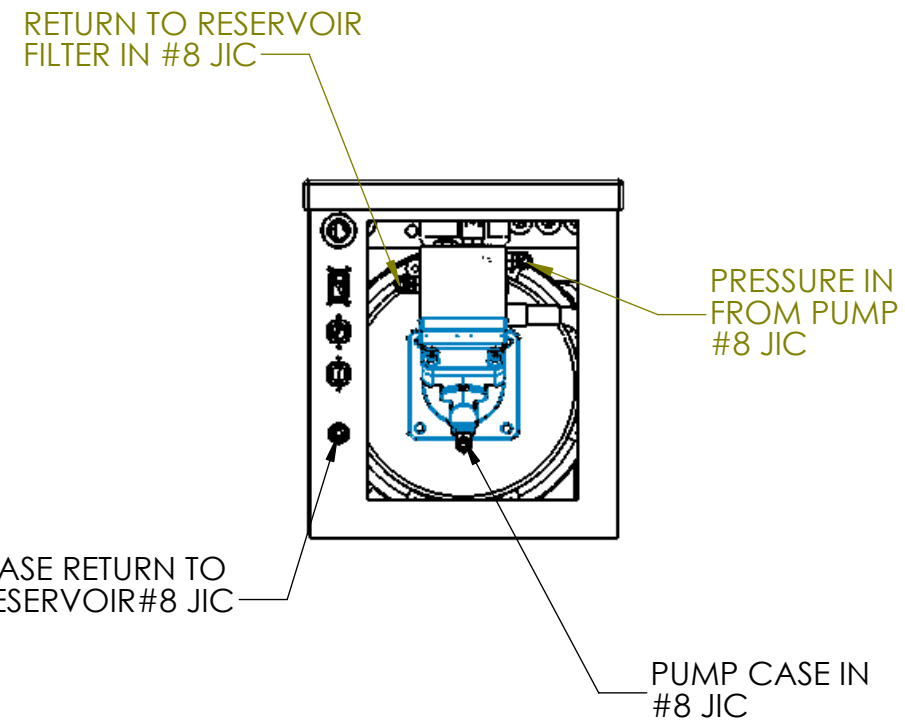
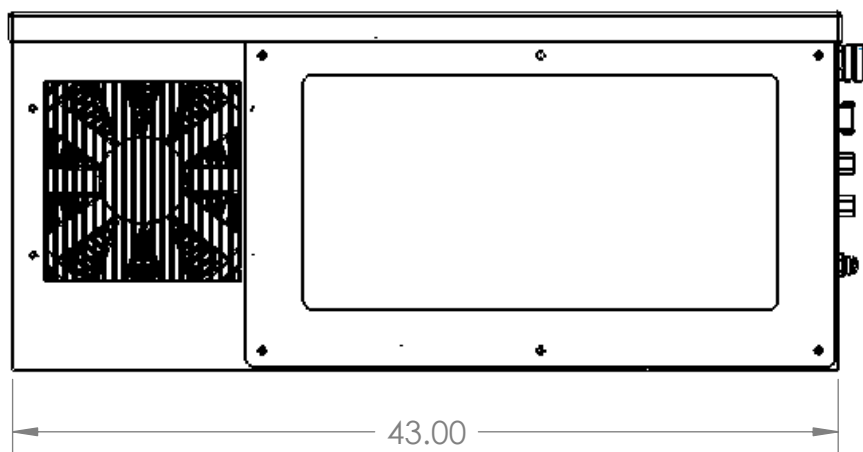
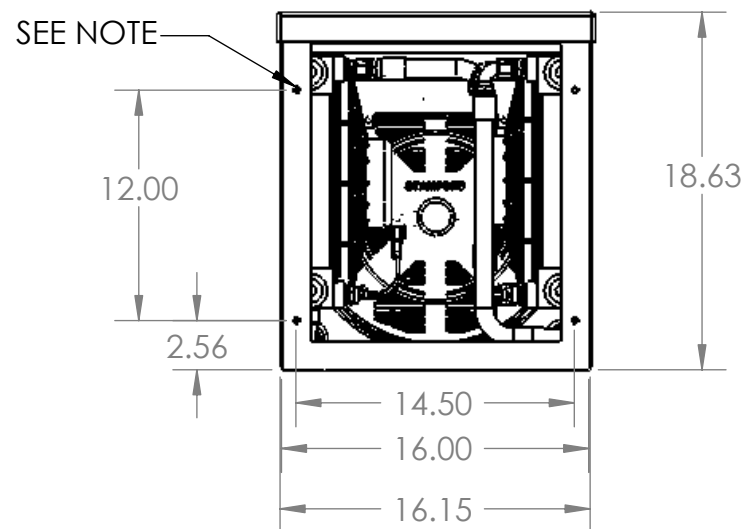
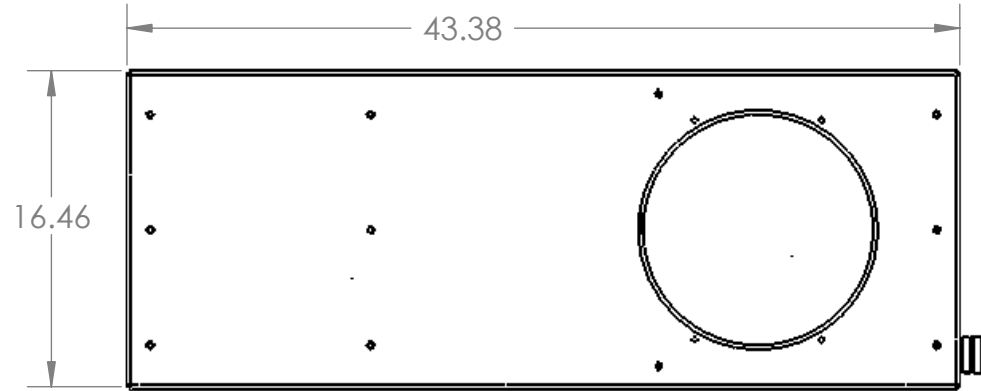


**PROPRIETARY AND CONFIDENTIAL**  
 THE INFORMATION CONTAINED IN THIS DRAWING IS THE SOLE PROPERTY OF HARRISON HYDRA-GEN LTD. ANY REPRODUCTION IN PART OR AS A WHOLE WITHOUT THE WRITTEN PERMISSION OF HARRISON HYDRA-GEN LTD. IS PROHIBITED.



NOTE: THE FOUR 1/4-20 PEN NUTS ON THE FRONT FACE CAN BE USED TO ATTACH ANY PLENUM NEEDED FOR INSTALL AIR FLOW.

NOTES:

REV.	DRFT	CHK	APVD	DATE	DESIGN CHANGES
A	PD	PD	PD	12-22-11	DIMENSIONAL DRAWING NCM SPEC B

UNLESS OTHERWISE SPECIFIED:  
 DIMENSIONS ARE IN INCHES  
 TOLERANCES:  
 FRACTIONAL ± 0.015  
 ANGULAR: MACH ± 0.5° BEND ± 1°  
 TWO PLACE DECIMAL ± 0.01  
 THREE PLACE DECIMAL ± 0.003

DO NOT SCALE DRAWING

14233 West Rd.  
Houston, TX 77041

Tel: (281) 807-4420  
Fax: (281) 807-4815

SCALE: 1:10 SHEET 1 OF 1

**HARRISON HYDRA-GEN LTD.**

TITLE: NCM SPEC B DIMENSIONS

PART:

SIZE DWG. NO. REV  
 B HU XX NCM-DIM-01-A A