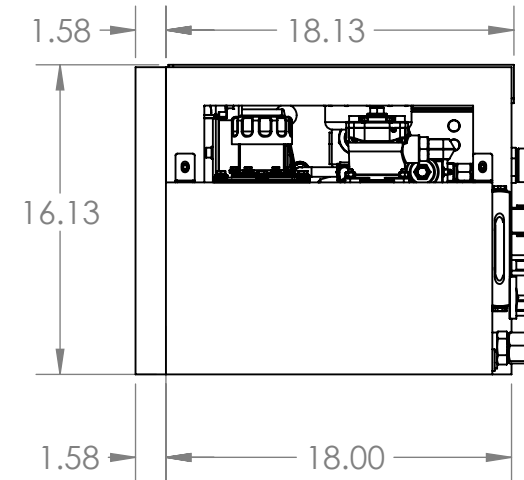
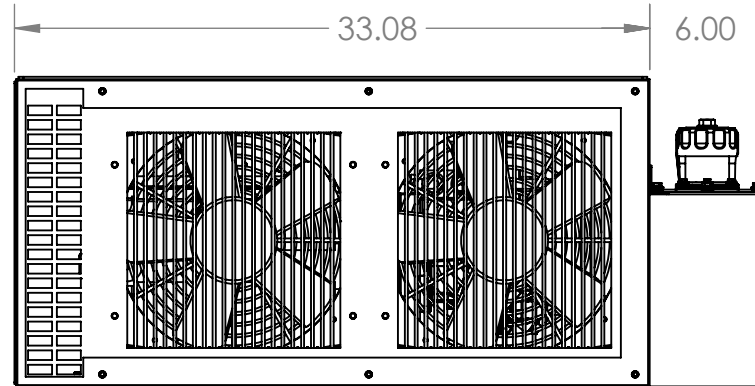
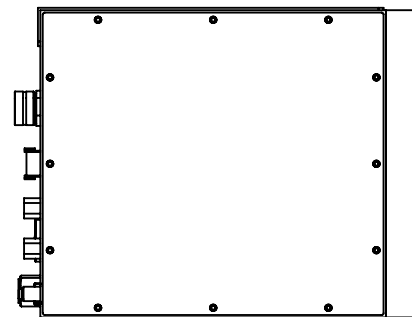
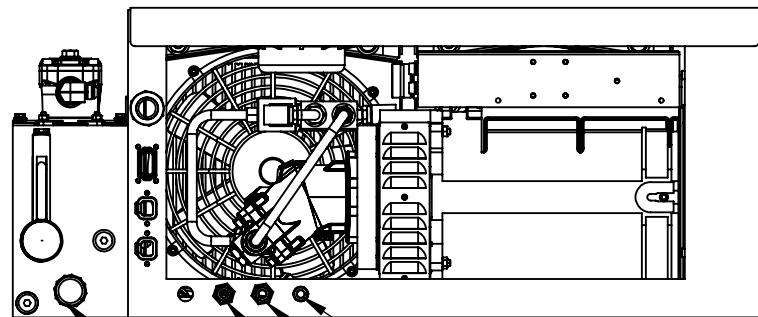
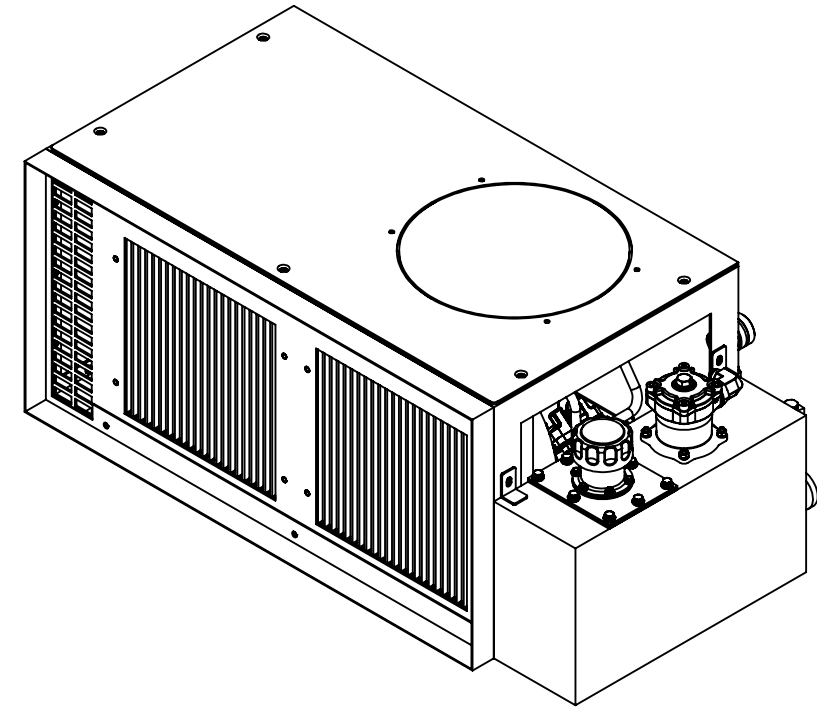
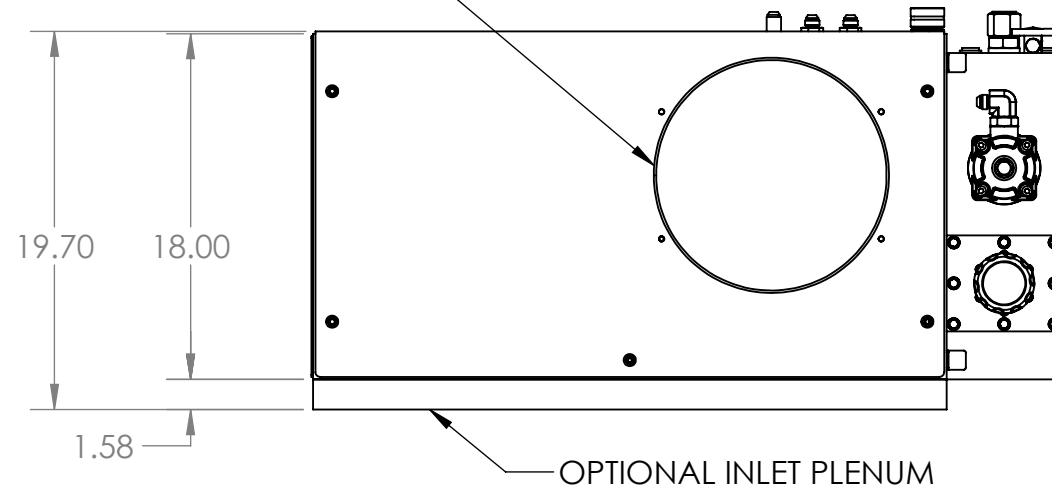
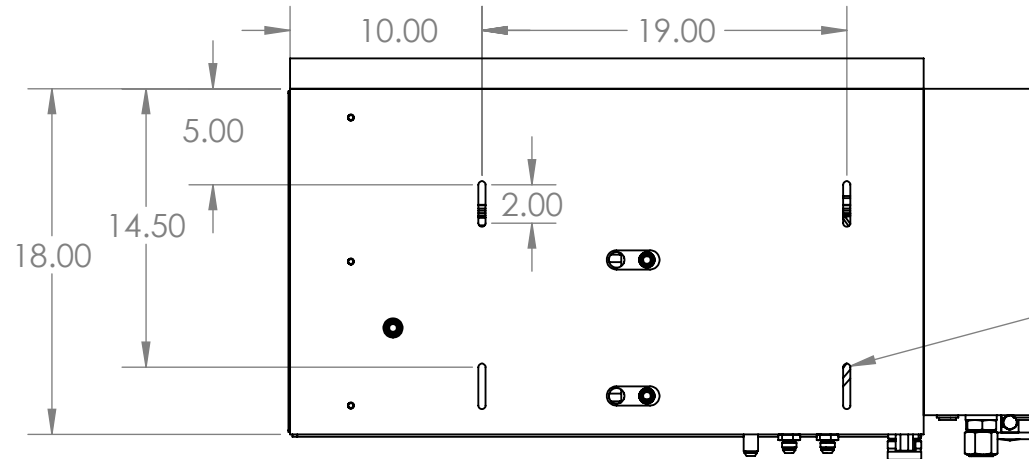


PROPRIETARY AND CONFIDENTIAL
 THE INFORMATION CONTAINED IN THIS DRAWING IS THE SOLE PROPERTY OF HARRISON HYDRA-GEN LTD. ANY REPRODUCTION IN PART OR AS A WHOLE WITHOUT THE WRITTEN PERMISSION OF HARRISON HYDRA-GEN LTD. IS PROHIBITED.

OPTIONAL VERTICAL DRAFT FAN



- PRESSURE IN #8 JIC FITTING
- CASE IN #8 JIC FITTING
- AUX. LOOP RETURN ONLY USED WITH IHT MANIFOLD
- SUCTION LINE TO PUMP #16 JIC FITTING



NOTES:

REV.	DRFT	CHK	APVD	DATE	DESIGN CHANGES
C	PD	PD	PD	3-18-13	MDS-C GENERATOR DIMENSIONS
C1	PD	PD	PD	7-25-13	CORRECT PORT LOCATIONS

UNLESS OTHERWISE SPECIFIED:

DIMENSIONS ARE IN INCHES
 TOLERANCES:
 FRACTIONAL ± 0.015
 ANGULAR: MACH ± 0.5° BEND ± 1°
 TWO PLACE DECIMAL ± 0.01
 THREE PLACE DECIMAL ± 0.003



10827 Tower Oaks Blvd. Houston, TX 77070
 Tel: (281) 807-4420 Fax: (281) 807-4815

DO NOT SCALE DRAWING

SCALE: 1:10

SHEET 1 OF 1

HARRISON HYDRA-GEN LTD.

TITLE: MDS-C DIMENSIONS

PART: HUXX.X MDS-C

SIZE DWG. NO. REV
 B HUXX.XMDS-C-DIM-01-C C1