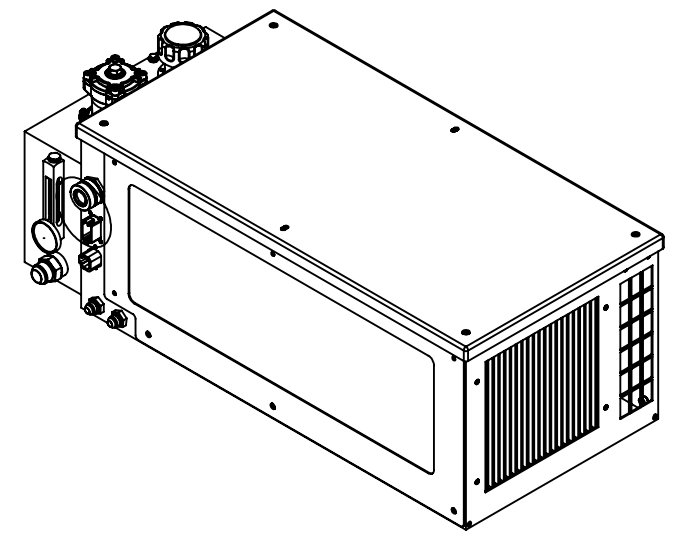
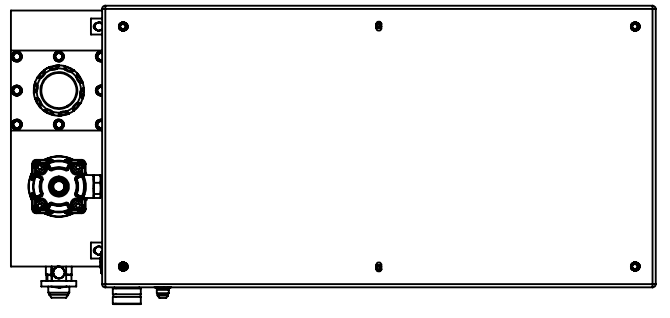
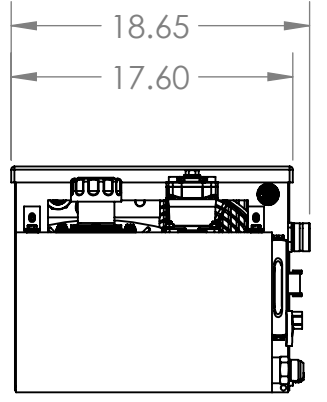
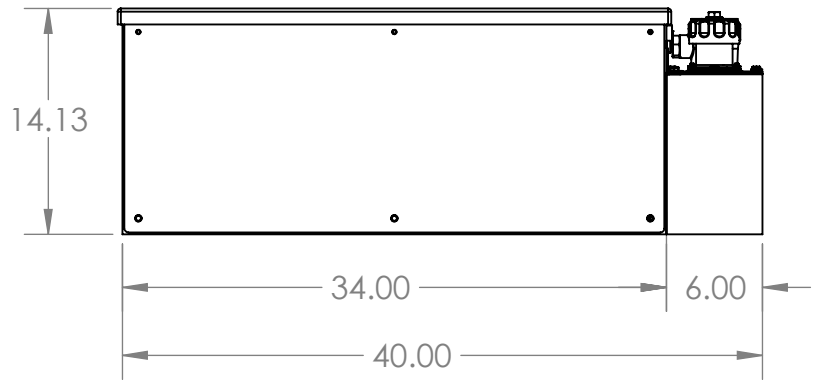


8 7 6 5 4 3 2 1

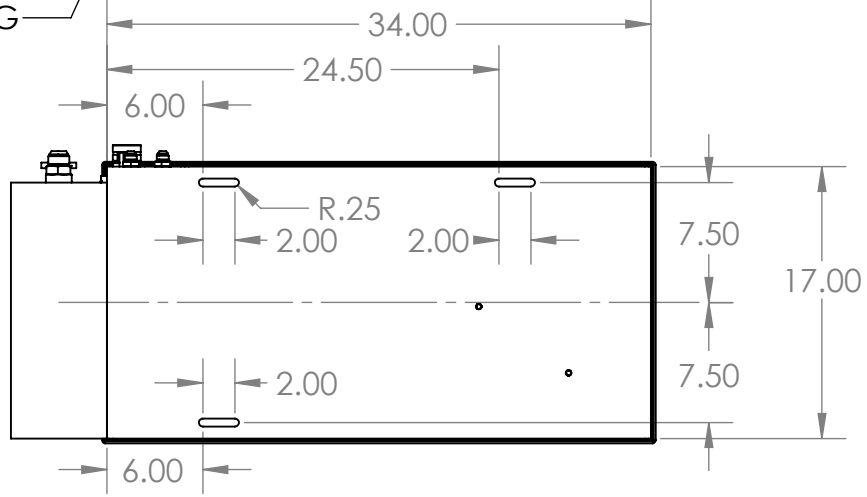
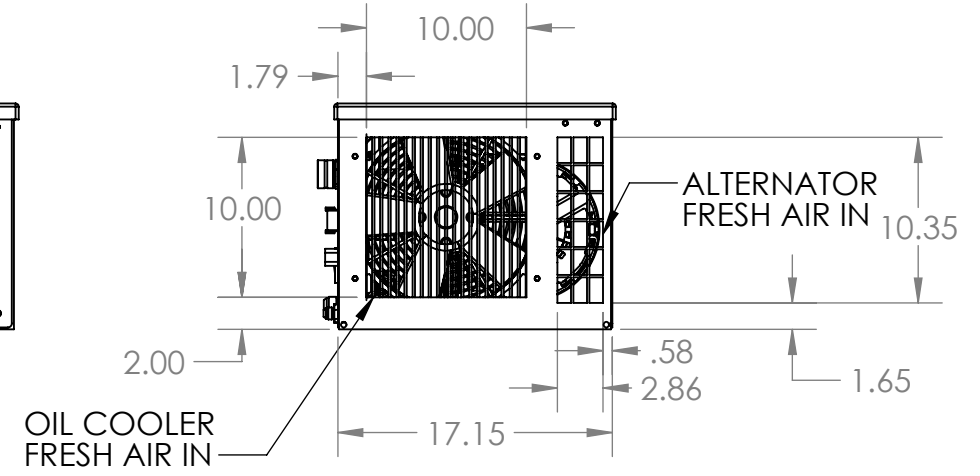
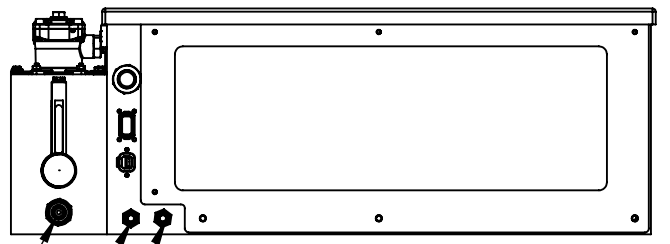
**PROPRIETARY AND CONFIDENTIAL**  
 THE INFORMATION CONTAINED IN THIS DRAWING IS THE SOLE PROPERTY OF HARRISON HYDRA-GEN LTD. ANY REPRODUCTION IN PART OR AS A WHOLE WITHOUT THE WRITTEN PERMISSION OF HARRISON HYDRA-GEN LTD. IS PROHIBITED.

D  
C  
B  
A

D  
C  
B  
A



SUCTION #16 JIC FITTING  
 CASE DRAIN #8 JIC FITTING  
 PRESSURE #8 JIC FITTING



NOTES:

REV.	DRFT	CHK	APVD	DATE	DESIGN CHANGES
A	PD	PD	PD	5-1-07	NEW DRAWING
B	PD	PD	PD	7-31-14	DRAWING UPDATED

UNLESS OTHERWISE SPECIFIED:  
 DIMENSIONS ARE IN INCHES  
 TOLERANCES:  
 FRACTIONAL ± 0.015  
 ANGULAR: MACH ± 0.5° BEND ± 1°  
 TWO PLACE DECIMAL ± 0.01  
 THREE PLACE DECIMAL ± 0.003  
 REMOVE SHARP CORNERS & BURRS

14233 West Rd.  
Houston, TX 77041

Tel: (281) 807-4420  
Fax: (281) 807-4815

DO NOT SCALE DRAWING

SCALE: 1:12

SHEET 1 OF 1

**HARRISON HYDRA-GEN LTD.**  
 TITLE: LPG GENERATOR DIMENSIONS  
 PART: HUXX.XLPG-16R-A-11010-XX-0  
 SIZE DWG. NO. REV  
 B HUXX.XLPG-16R-A-1101-XX-0-DIM-01-B

8 7 6 5 4 3 2 1