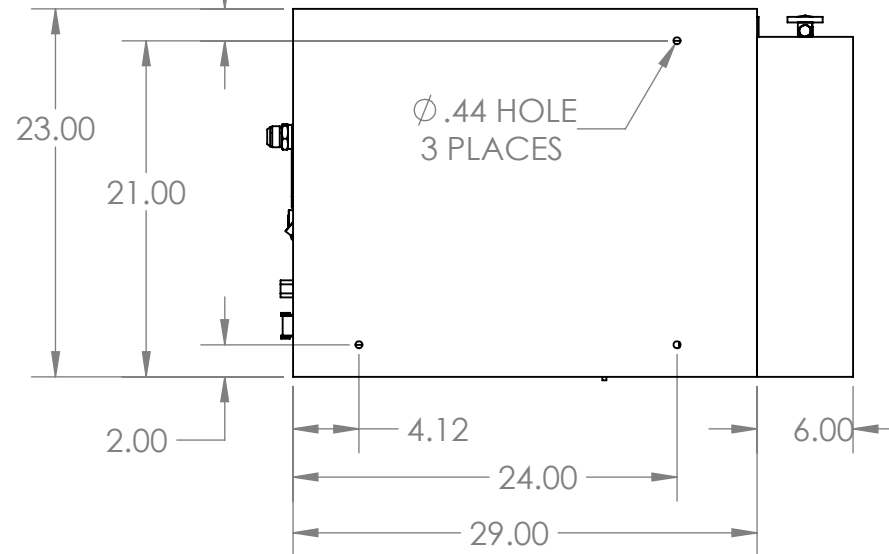
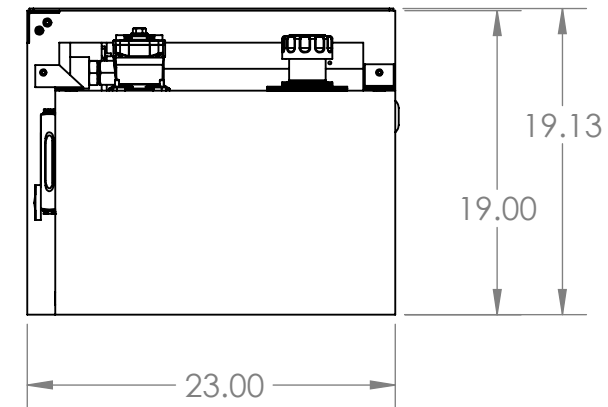
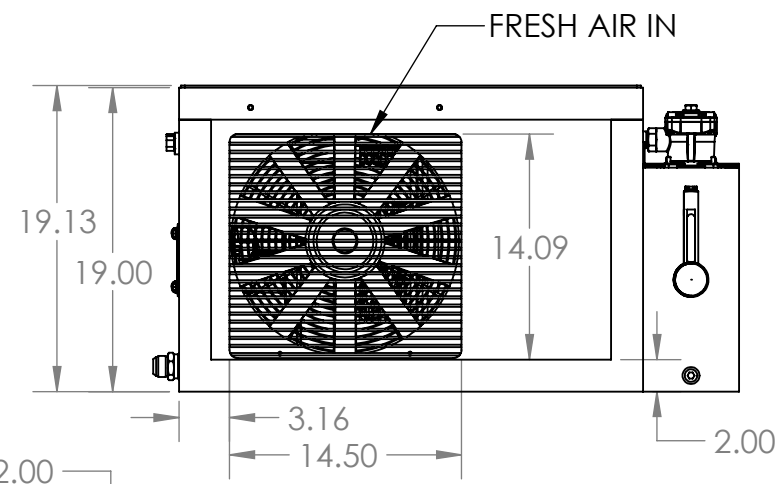
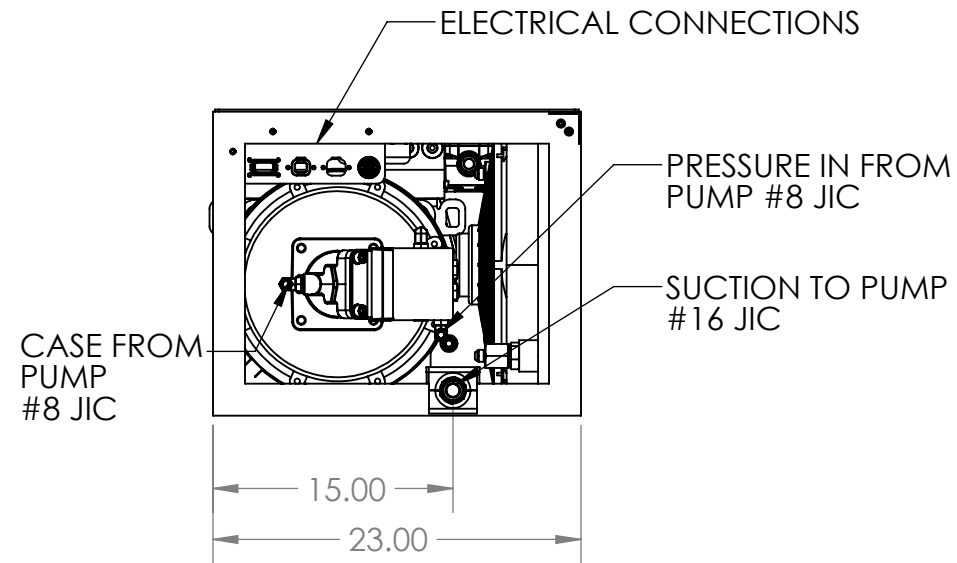
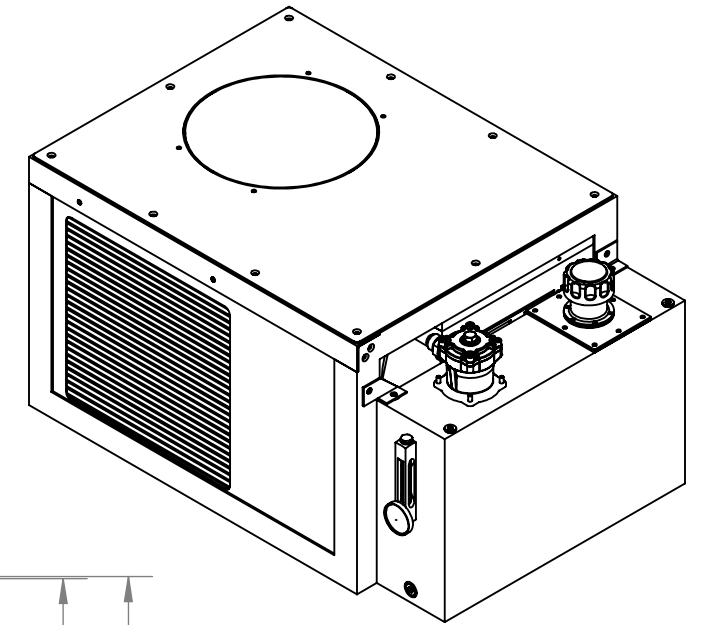
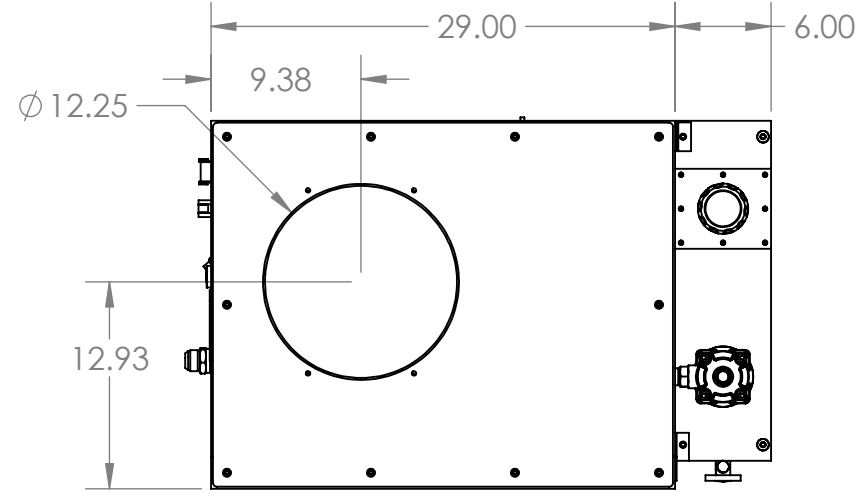


PROPRIETARY AND CONFIDENTIAL

THE INFORMATION CONTAINED IN THIS DRAWING IS THE SOLE PROPERTY OF HARRISON HYDRA-GEN LTD. ANY REPRODUCTION IN PART OR AS A WHOLE WITHOUT THE WRITTEN PERMISSION OF HARRISON HYDRA-GEN LTD. IS PROHIBITED.

GENERATOR SHOWN WITH VERTICAL DRAFT TOP OPTION



NOTES:

REV.	DRFT	CHK	APVD	DATE	DESIGN CHANGES
A	PD	PD	PD	5-21-12	DIMENSIONAL DRAWING

UNLESS OTHERWISE SPECIFIED:

DIMENSIONS ARE IN INCHES
 TOLERANCES:
 FRACTIONAL ± 0.015
 ANGULAR: MACH ± 0.5° BEND ± 1°
 TWO PLACE DECIMAL ± 0.01
 THREE PLACE DECIMAL ± 0.003



10827 Tower Oaks Blvd. Houston, TX 77070
 Tel: (281) 807-4420 Fax: (281) 807-4815

DO NOT SCALE DRAWING

SCALE: 1:12

SHEET 1 OF 1

HARRISON HYDRA-GEN LTD.

TITLE: 10-20 MPC SPEC M DIMENSIONS

PART: HUXX.XMPC-16F-M

SIZE DWG. NO. REV
 B HUXX.XMPC-16F-M-DIM-01-A A