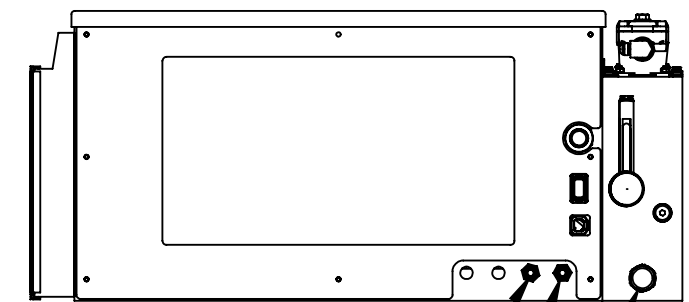
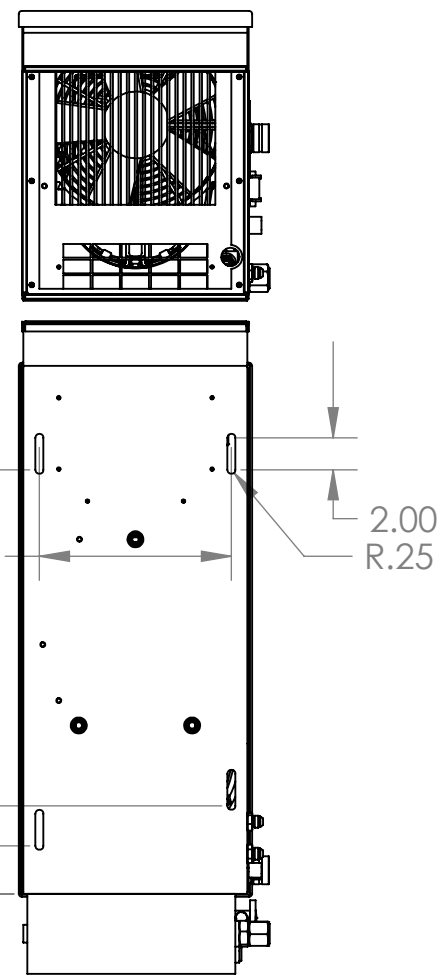
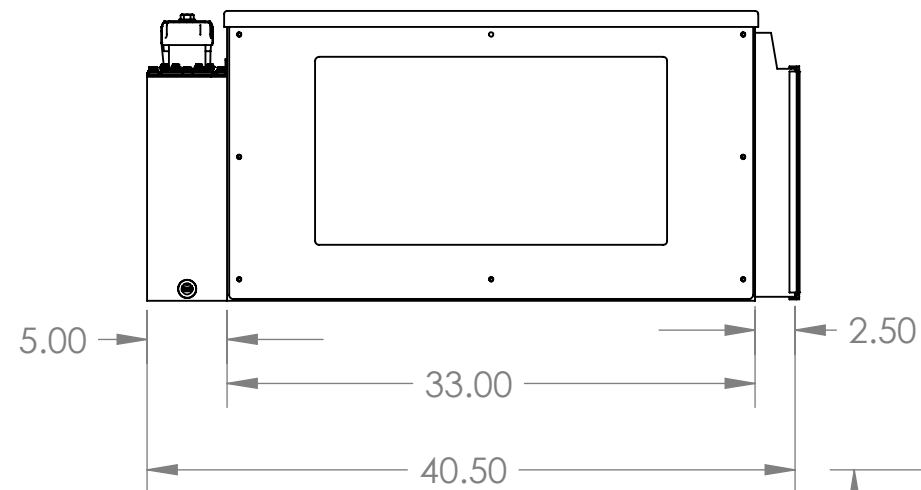
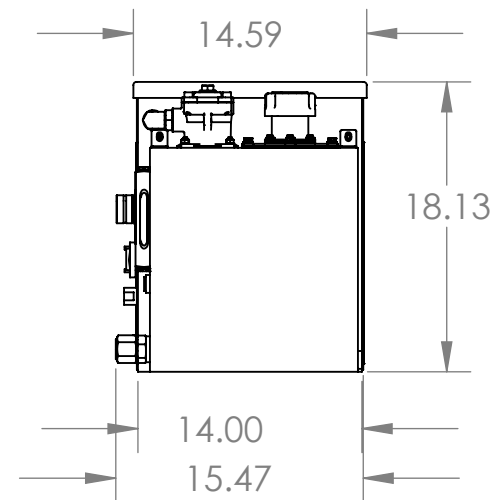
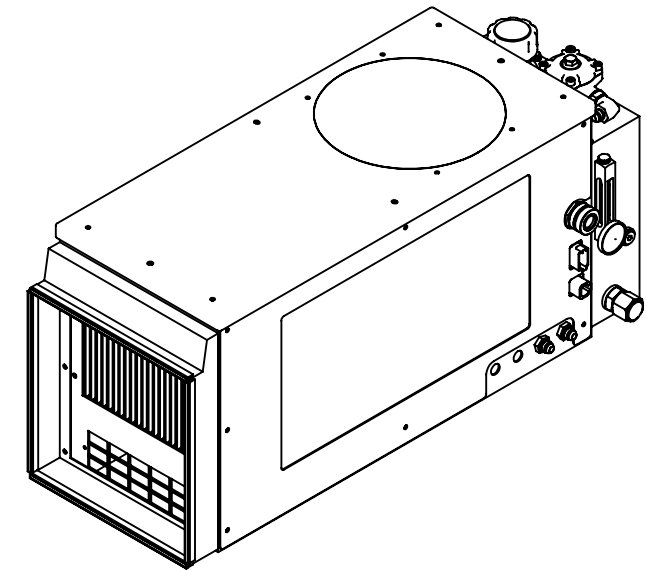
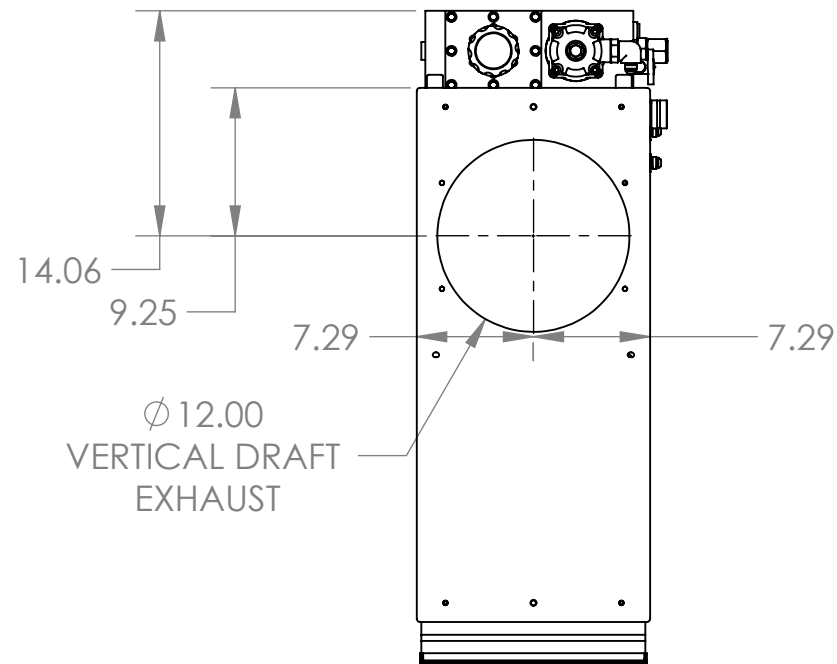


PROPRIETARY AND CONFIDENTIAL

THE INFORMATION CONTAINED IN THIS DRAWING IS THE SOLE PROPERTY OF HARRISON HYDRA-GEN LTD. ANY REPRODUCTION IN PART OR AS A WHOLE WITHOUT THE WRITTEN PERMISSION OF HARRISON HYDRA-GEN LTD. IS PROHIBITED.

MODEL SHOWN:
XX.X MCR-16R/C11111/XX/1
OPTIONAL VERTICAL DRAFT
& INTAKE PLENUM



PRESSURE IN #8 JIC FITTING
PUMP CASE IN #8 JIC FITTING
OMIT FOR FV OPTION
SUCTION LINE #16 JIC FITTING

NOTES:

REV.	DRFT	CHK	APVD	DATE	DESIGN CHANGES
A	PD	PD	PD	4-23-09	MCR-C DIMENSIONAL DRAING
B	PD	PD	PD	4-16-12	ADDED UPDRAFT FAN DIMENSIONS

UNLESS OTHERWISE SPECIFIED:

DIMENSIONS ARE IN INCHES
TOLERANCES:
FRACTIONAL ± 0.015
ANGULAR: MACH ± 0.5° BEND ± 1°
TWO PLACE DECIMAL ± 0.01
THREE PLACE DECIMAL ± 0.003



10827 Tower Oaks Blvd. Houston, TX 77070
Tel: (281) 807-4420 Fax: (281) 807-4815

DO NOT SCALE DRAWING

SCALE: 1:12

SHEET 1 OF 1

HARRISON HYDRA-GEN LTD.

TITLE: MCR-C DIMENSIONS

PART: HUXX.X MCR-C

SIZE DWG. NO. REV
B HUXXX.X MCR-C-DIM-01-A B