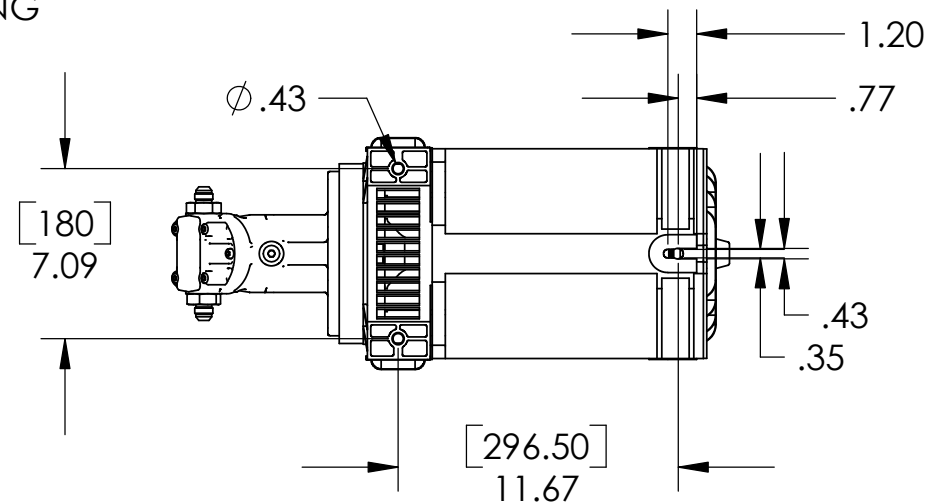
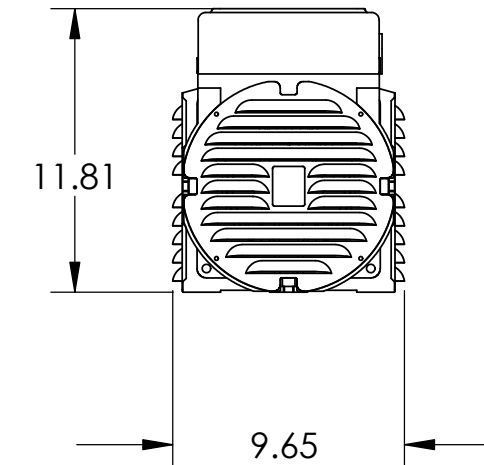
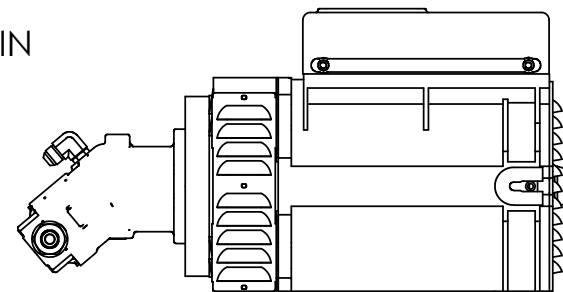
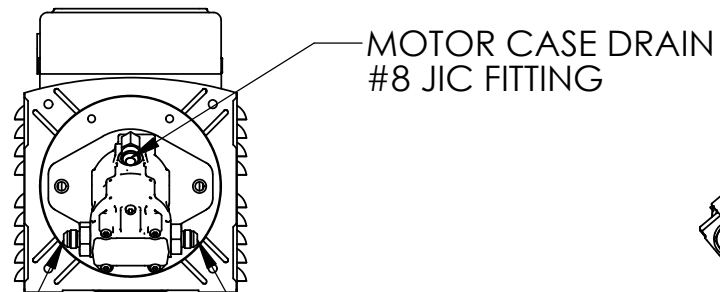
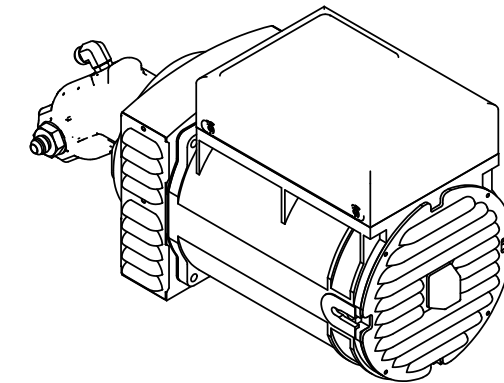
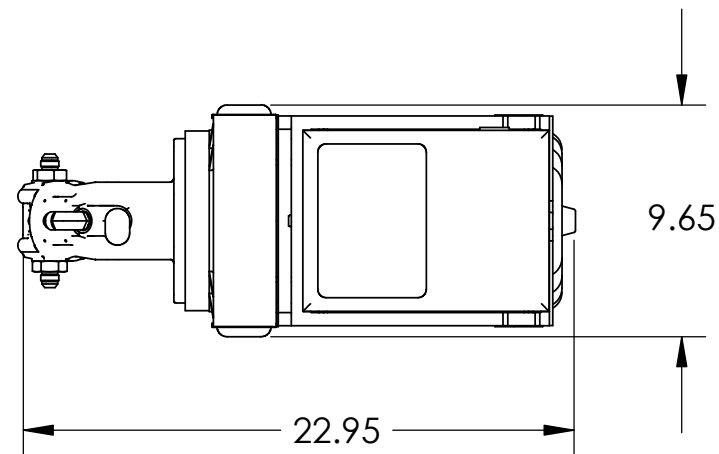


PROPRIETARY AND CONFIDENTIAL

THE INFORMATION CONTAINED IN THIS DRAWING IS THE SOLE PROPERTY OF HARRISON HYDRA-GEN LTD. ANY REPRODUCTION IN PART OR AS A WHOLE WITHOUT THE WRITTEN PERMISSION OF HARRISON HYDRA-GEN LTD. IS PROHIBITED.

NOTE: MODEL SHOWN  
XX.XDAS-16R/D-00300/00/0

MOTOR:  
10CC BENT AXIS PISTON  
3600 RPM FOR 60HZ



NOTES:

REV.	DRFT	CHK	APVD	DATE	DESIGN CHANGES
A	PD	PD	PD	4-20-09	DAS DIMENSIONAL DRAWING

UNLESS OTHERWISE SPECIFIED:

DIMENSIONS ARE IN INCHES  
TOLERANCES:  
FRACTIONAL ± 0.015  
ANGULAR: MACH ± 0.5° BEND ± 1°  
TWO PLACE DECIMAL ± 0.01  
THREE PLACE DECIMAL ± 0.003

DO NOT SCALE DRAWING



10827 Tower Oaks Blvd. Houston, TX 77070  
Tel: (281) 807-4420 Fax: (281) 807-4815

SCALE: 1:8

SHEET 1 OF 1

HARRISON HYDRA-GEN LTD.

TITLE: DAS DIMENSIONAL DRAWING

PART: HU DAS-16R/D

SIZE DWG. NO. REV  
B HUDAS-DIM-01-A A