

PROPRIETARY AND CONFIDENTIAL

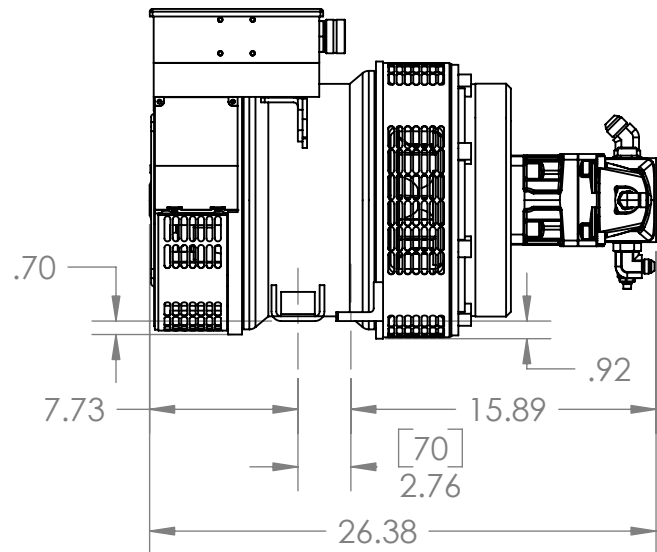
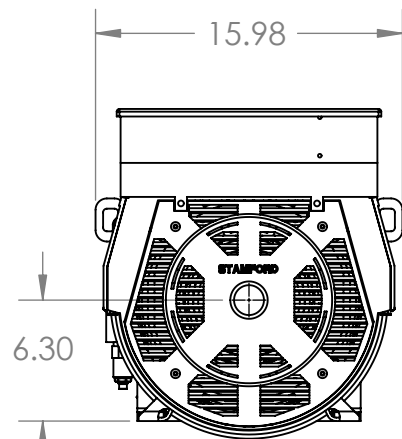
THE INFORMATION CONTAINED IN THIS DRAWING IS THE SOLE PROPERTY OF HARRISON HYDRA-GEN LTD. ANY REPRODUCTION IN PART OR AS A WHOLE WITHOUT THE WRITTEN PERMISSION OF HARRISON HYDRA-GEN LTD. IS PROHIBITED.

D

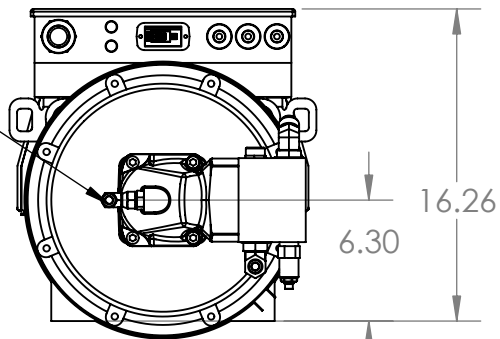
C

B

A

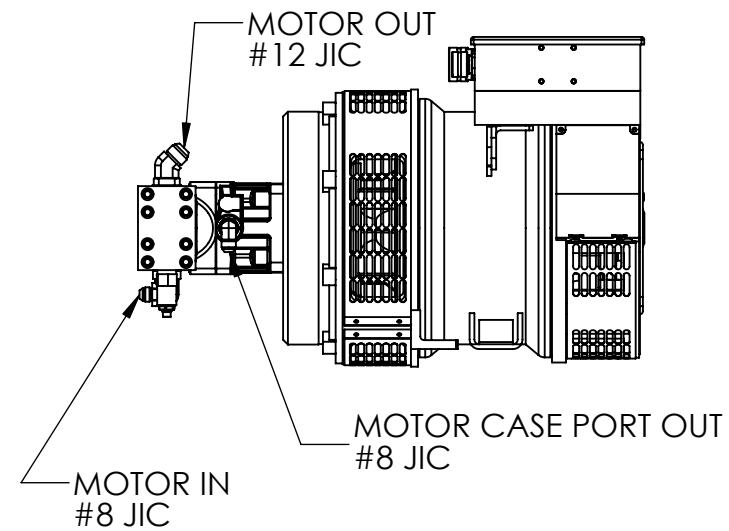
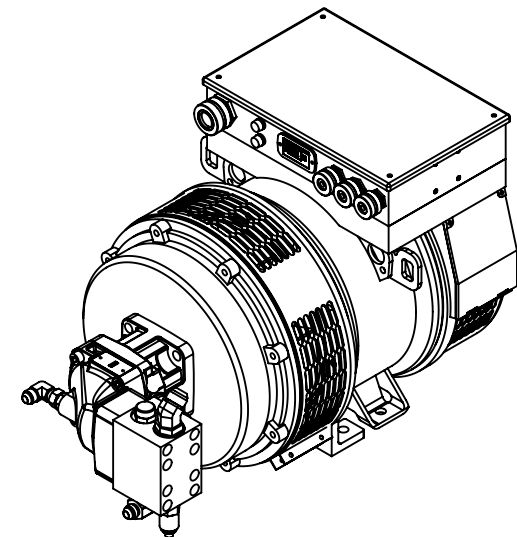
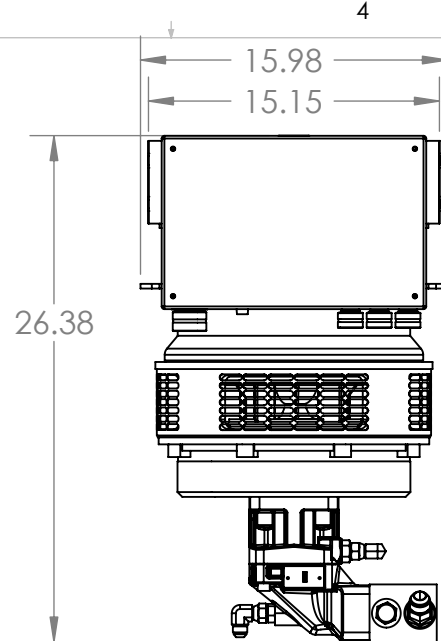
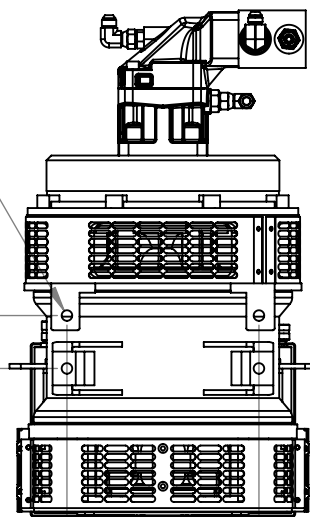


PUMP CASE IN TO MOTOR
#8 JIC



4 x Ø .55

[70]
2.76



D

C

B

A

NOTES:

REV.	DRFT	CHK	APVD	DATE	DESIGN CHANGES
A	PD	PD	PD	5-20-11	DIMENSIONAL DRAWING 10-15 DPC SPEC L

UNLESS OTHERWISE SPECIFIED:

DIMENSIONS ARE IN INCHES
TOLERANCES:
FRACTIONAL ± 0.015
ANGULAR: MACH ± 0.5° BEND ± 1°
TWO PLACE DECIMAL ± 0.01
THREE PLACE DECIMAL ± 0.003

DO NOT SCALE DRAWING



10827 Tower Oaks Blvd. Houston, TX 77070
Tel: (281) 807-4420 Fax: (281) 807-4815

SCALE: 1:10

SHEET 1 OF 1

HARRISON HYDRA-GEN LTD.

TITLE: 10-15 DPC-16/L DIMENSIONS

PART: HUXX.X DPC-16D/L

SIZE DWG. NO. REV
B HUXX.XDPC-16D-L-DIM-01-A A

8

7

6

5

4

3

2

1