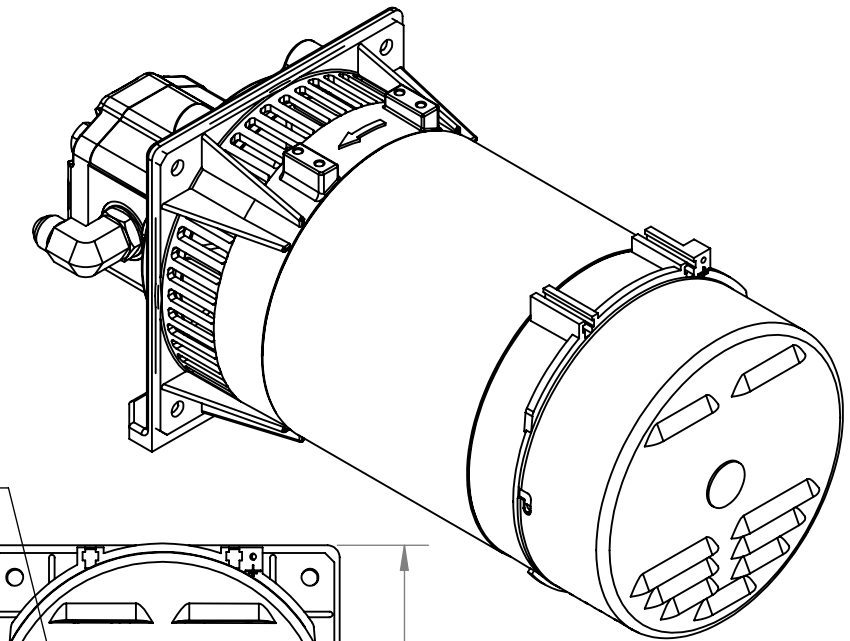


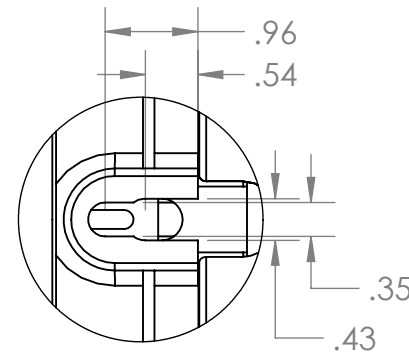
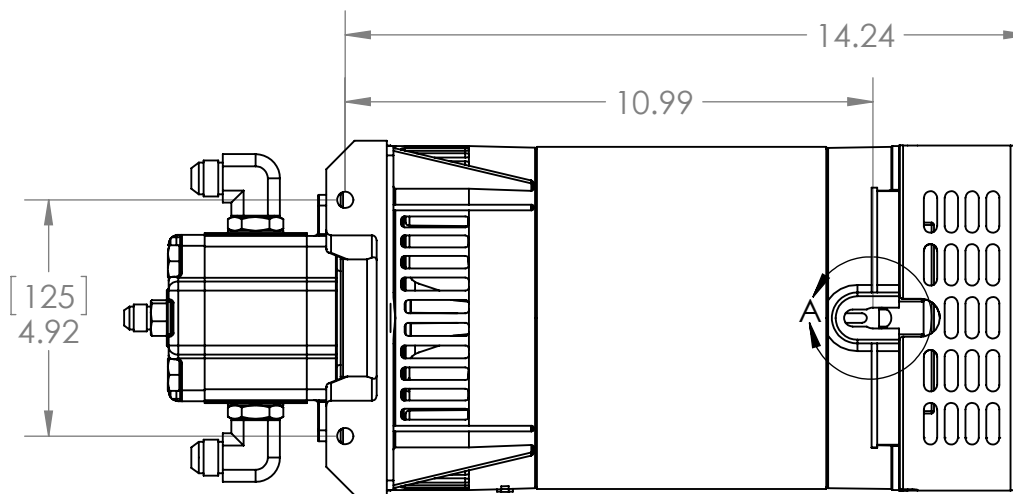
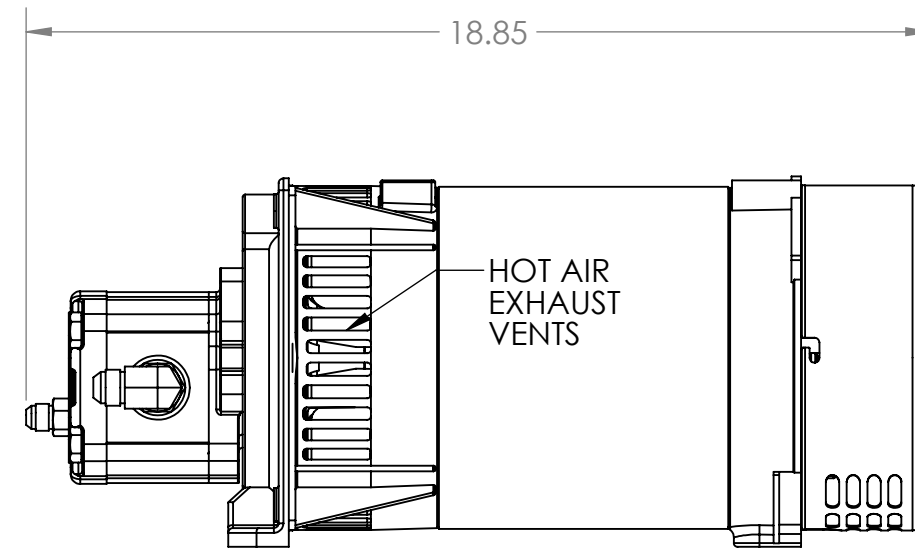
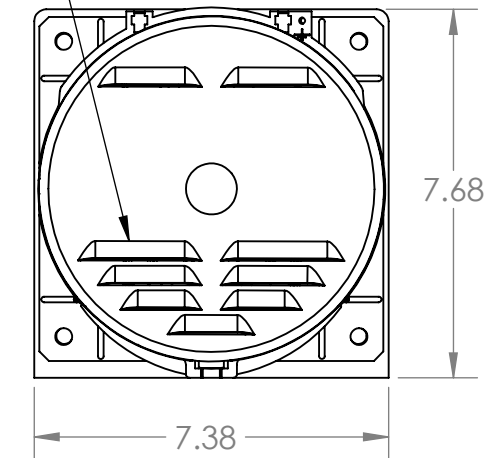
PROPRIETARY AND CONFIDENTIAL

THE INFORMATION CONTAINED IN THIS DRAWING IS THE SOLE PROPERTY OF HARRISON HYDRA-GEN LTD. ANY REPRODUCTION IN PART OR AS A WHOLE WITHOUT THE WRITTEN PERMISSION OF HARRISON HYDRA-GEN LTD. IS PROHIBITED.

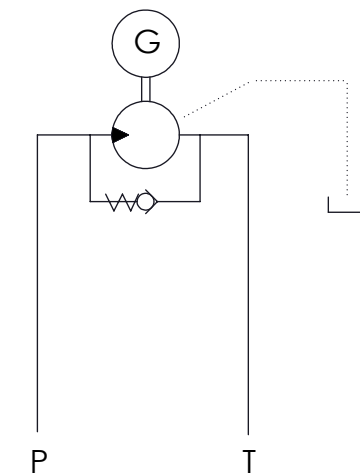
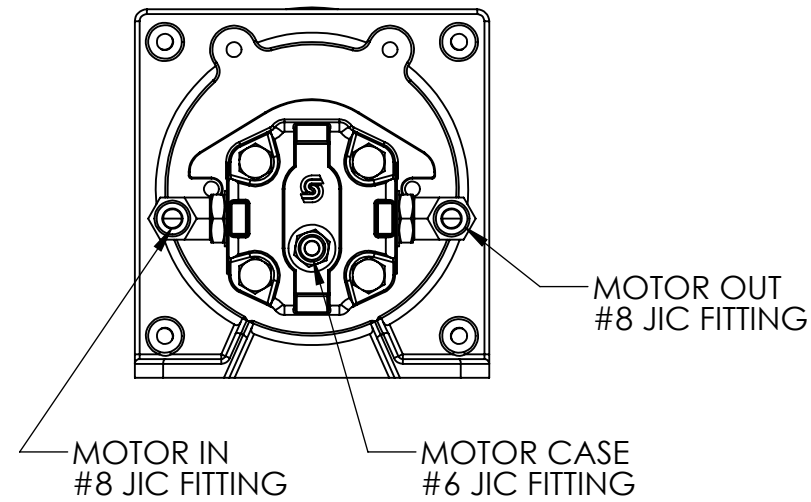
5.0 PMG GENERATOR WITH 8CC MOTOR



FRESH AIR INLET VENTS



DETAIL A
SCALE 1 : 2



NOTES:

REV.	DRFT	CHK	APVD	DATE	DESIGN CHANGES
A	PD	PD	PD	6-26-14	DIMENSIONAL DRAWING

UNLESS OTHERWISE SPECIFIED:
DIMENSIONS ARE IN INCHES
TOLERANCES:
FRACTIONAL ± 0.015
ANGULAR: MACH ± 0.5° BEND ± 1°
TWO PLACE DECIMAL ± 0.01
THREE PLACE DECIMAL ± 0.003
REMOVE SHARP CORNERS & BURRS

DO NOT SCALE DRAWING



14233 West Rd.
Houston, TX 77041
Tel: (281) 807-4420
Fax: (281) 807-4815

SCALE: 1:4 SHEET 1 OF 1

HARRISON HYDRA-GEN LTD.

TITLE: 5.0 PMG WITH 8 CC MOTOR

PART: HU5.0 PMG-1XG8-B-00000-00-0

SIZE B DWG. NO. HU5.0PMG-1XG8-B-00000-00-01-A REV