

**PROPRIETARY AND CONFIDENTIAL**  
 THE INFORMATION CONTAINED IN THIS DRAWING IS THE SOLE PROPERTY OF HARRISON HYDRA-GEN LTD. ANY REPRODUCTION IN PART OR AS A WHOLE WITHOUT THE WRITTEN PERMISSION OF HARRISON HYDRA-GEN LTD. IS PROHIBITED.

D

C

B

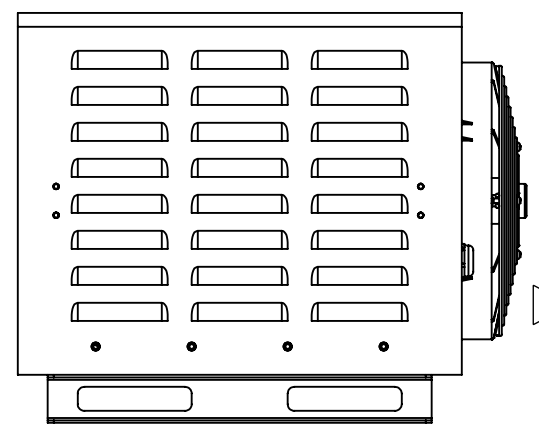
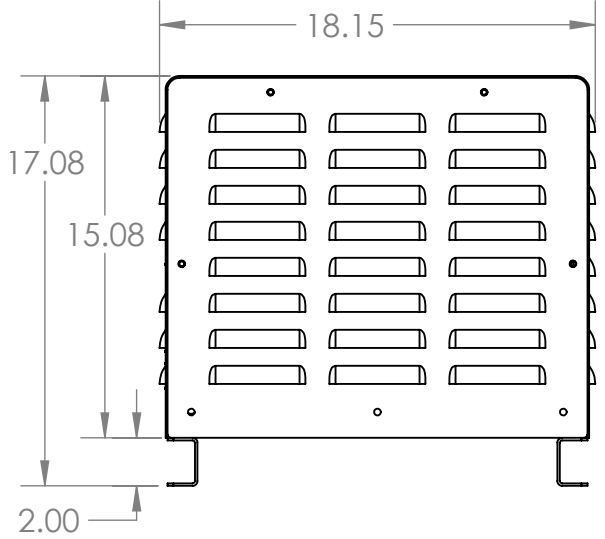
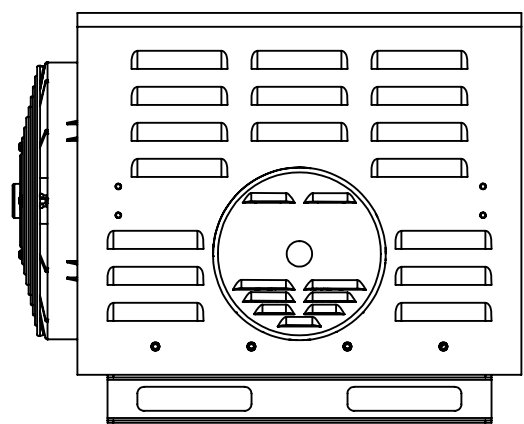
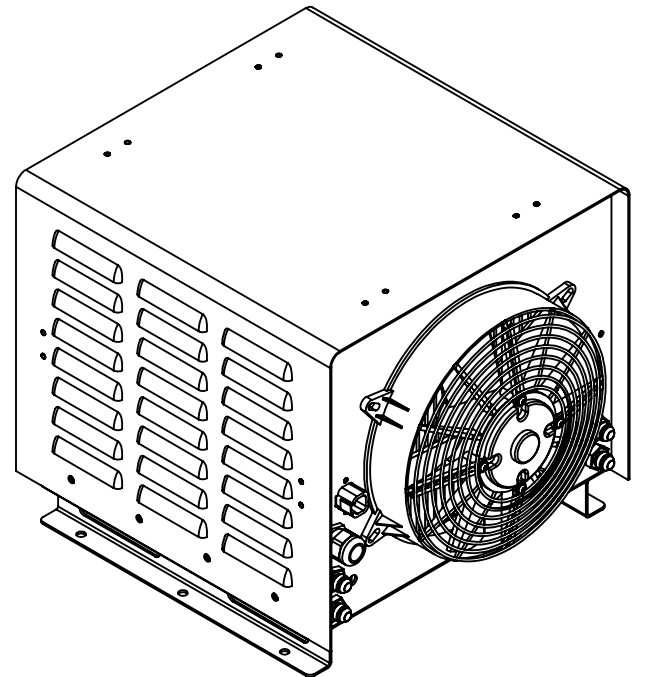
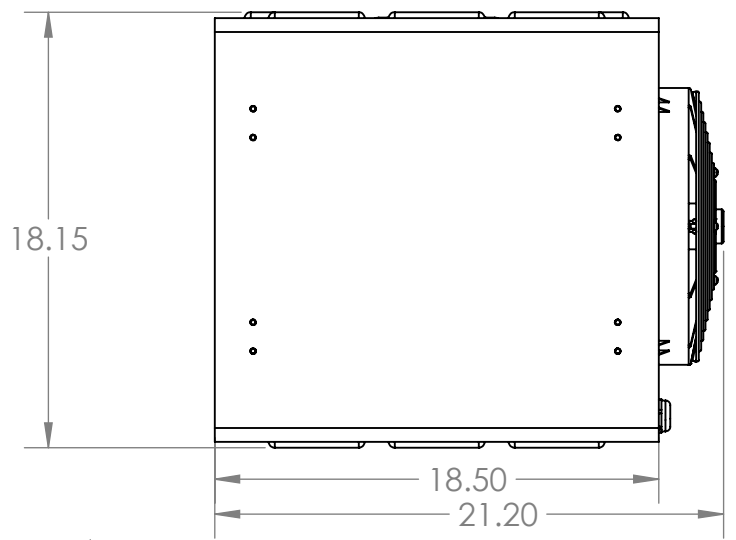
A

D

C

B

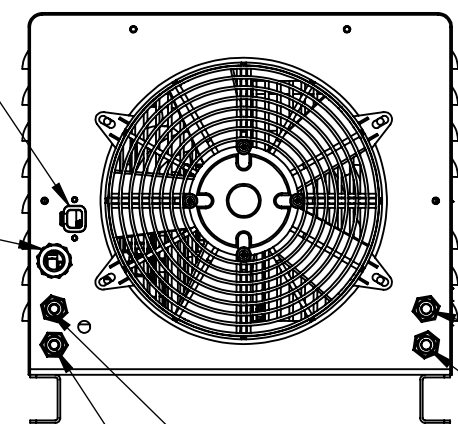
A



12VDC INLET  
 DEUTSCH#  
 DTP04-44P-L012  
 !5" POWER CORD  
 SUPPLIED  
 NOT SHOWN

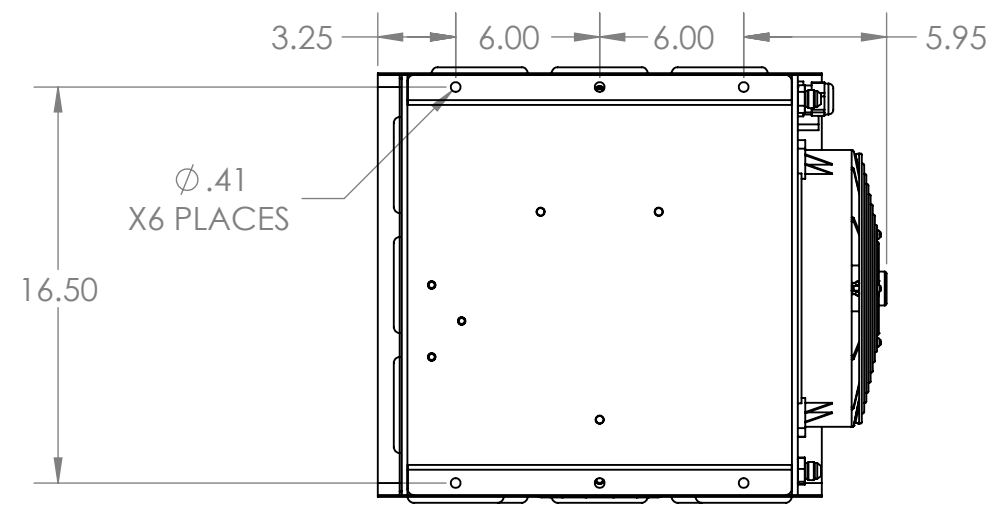
POWER CORD  
 OUTLET 10-3 S.O.  
 15 FT LONG  
 NOT SHOWN

AIR FLOW



PRESSURE IN  
 #8 JIC FITTING  
 PUMP CASE IN  
 #8 JIC FITTING

RETURN OUT TO  
 TANK FILTER IN  
 #8 JIC FITTING  
 CASE OUT TO TANK  
 #8 JIC FITTING



NOTES:

REV.	DRFT	CHK	APVD	DATE	DESIGN CHANGES
A	PD	PD	PD	6-23-20	DIMENSIONAL DRAWING

UNLESS OTHERWISE SPECIFIED:  
 DIMENSIONS ARE IN INCHES  
 TOLERANCES:  
 FRACTIONAL ± 0.015  
 ANGULAR: MACH ± 0.5° BEND ± 1°  
 TWO PLACE DECIMAL ± 0.01  
 THREE PLACE DECIMAL ± 0.003

DO NOT SCALE DRAWING

**Harrison**  
 HYDRA-GEN

14233 West Rd.  
 Houston, TX 77041

Tel: (281) 807-4420  
 Fax: (281) 807-4815

SCALE: SHEET 1 OF 1

**HARRISON HYDRA-GEN LTD.**

TITLE: 3.0KW STINGER

PART: HU03.0 STINGER

SIZE DWG. NO. REV  
 B HU03.0 STINGER-01-A A